

GARDEN REVIVAL
GARDEN CLASSIC
BOLLARD
UP&DOWN
DOWNLIGHT
IN-GROUND
BRICKLIGHT
FLOODLIGHT
BULKHEAD
SOLAR
URBAN CLASSIC
URBAN REVIVAL
URBAN MODERN
POST
LAMPS

GLOBE 500 CLASSIC

GRAND SIZE



Ø 500 mm PMMA globe, complete with classic base made of shockproof resin material, UV-rays stabilized, rust and corrosion-free. Suitable for post top, hanging and wall installation. Base provided with E27 lampholder and prepared for louvre fixation. Insulation class II, protection rating IP55.

Globo Ø 500 mm in polimetilmetacrilato (PMMA) completo di base classica realizzata in resina antiurto, stabilizzata ai raggi UV, inattaccabile da ruggine e corrosione. Idoneo per il montaggio a palo, a sospensione o a parete. Base fornita con portalampada E27 e predisposta per il fissaggio del frangiluce. Classe di isolamento II, grado di protezione IP55.

G50.B50.E27FC1

MADE IN ITALY

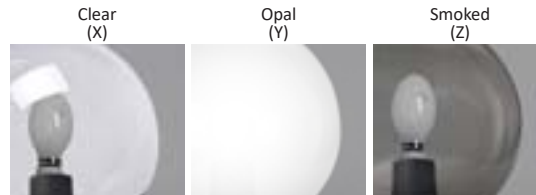
GLOBE 500 CLASSIC - COMPONENTS

IP55



500 mm GLOBE made of UV-rays stabilized polymethylmethacrylate (PMMA), one piece only. Available in clear, opal or smoked colour.

GLOBO Ø 500 mm Ø 500 mm in polimetilmetacrilato (PMMA), resistente all'ingiallimento ed ai raggi UV, realizzato in un unico pezzo. Disponibile nei colori trasparente, bianco o fumé.



Chrome aluminium **LOUVRE** with a laminar symmetrical optic system to direct the lighting output and to get a lower dazzle (optional).

FRANGILUCE in alluminio cromato con sistema ottico lamellare a ripartizione simmetrica per orientare il fascio di luce e ridurre l'abbagliamento (opzionale).

Luminaries **BASE**, made of shockproof resin material, UV-rays stabilized, rust and corrosion-free, consisting of a support and of a cover provided with E27 - E40 lampholder.

BASE del globo, realizzata in resina antiurto, stabilizzata ai raggi UV, inattaccabile da ruggine e corrosione. Composta da un supporto e da un coperchio in cui si trova l'alloggiamento per il portalamпада E27 (incluso).

GLOBE 500 CLASSIC

G50.B50 *



Dimensions and weight

Height: 630 mm
Diameter: 500 mm
Junction to support: diameter 60 mm
Weight: 3,6 Kg
Area exposed to wind pressure: CxS = m² 0,181

Moulded colours:

Black White

Painted colours:

Antique green Antique bronze

Diffuser PMMA:

Clear Opal Smoked

CHROME ALUMINIUM LOUVRE

H.FC1 closed
Upward position



H.FC6 open
Downward position



E27-E40

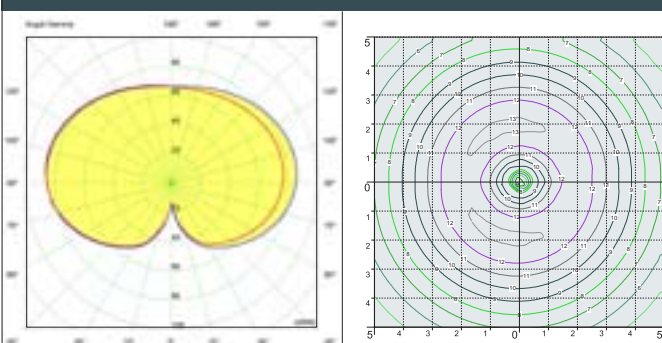
*ADD. SUFFIX



Globe complete with classic base and **E27** or **E40** lampholder.

suitable lamps: CFL-LED SON-HQI max 100W	E27 Lampholder only	.E27
	E40 Lampholder only	.E40

PHOTOMETRIC DATA SAMPLE



GLOBE 500 E27 - opal
HQI 100W

POST height 4,5mt
10x10mt area: average 9 lux

The photometric data for all the versions are available upon request or on our website.

* ADD THE ABOVE SUFFIXES TO THE REFERENCES MENTIONED IN THE CATALOGUE

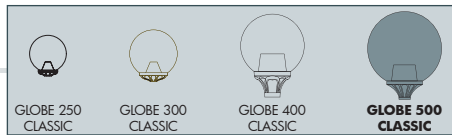
LAMPS
POST
URBAN MODERN
URBAN REVIVAL
URBAN CLASSIC
SOLAR
BULKHEAD
FLOODLIGHT
BRICKLIGHT
IN-GROUND
DOWNLIGHT
UP&DOWN
BOLLARD
GARDEN CLASSIC
GARDEN REVIVAL

GIONA 4500-5000/GLOBE 500 CLASSIC

GRAND SIZE



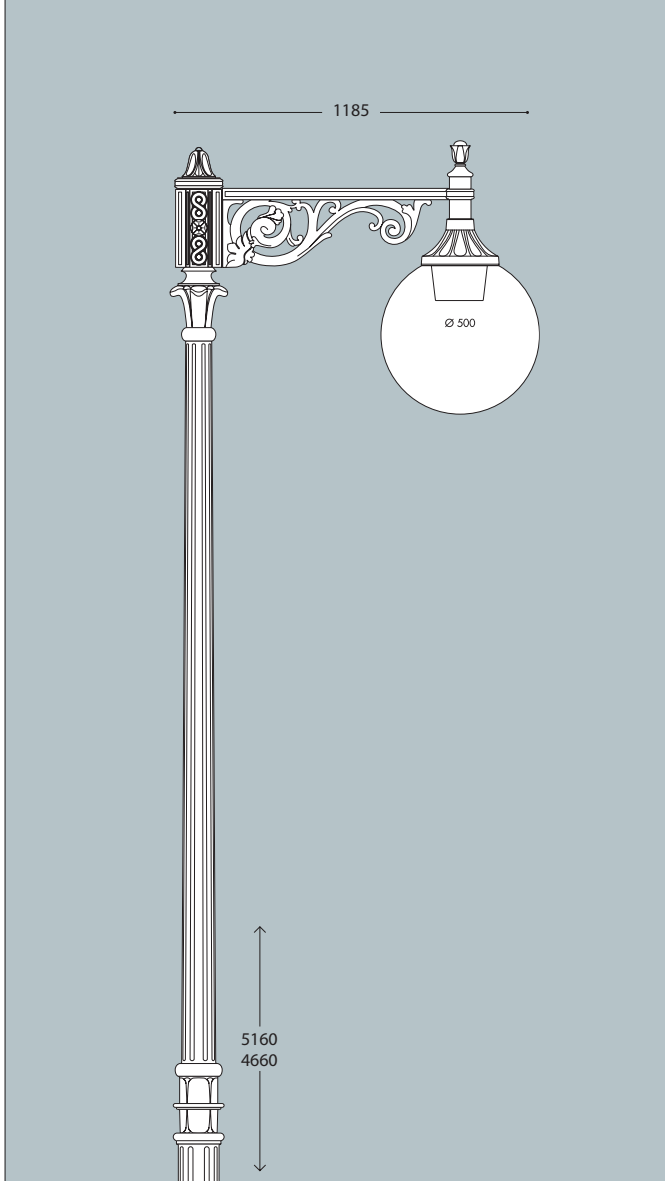
MADE IN ITALY



GIONA 4500 ARON/G500 1L **GIONA 5000 ARON/G500 1L**

G50.224.N10 G50.227.N10

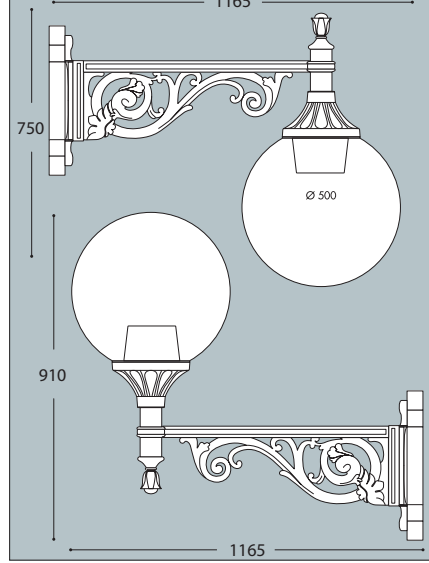
Pcs 1 Pcs 1
Kg 67,4 Kg 69,4
mc 1,031 mc 1,146



ARON/G500

G50.172

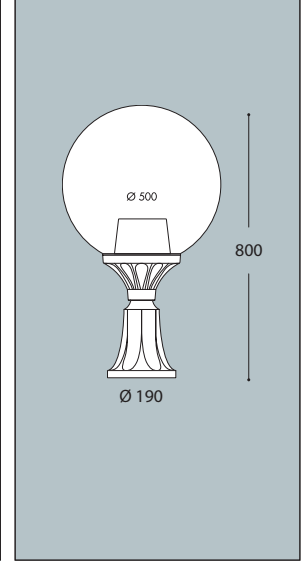
Pcs 1
Kg 8,9
mc 0,178



LOT/G500

G50.113

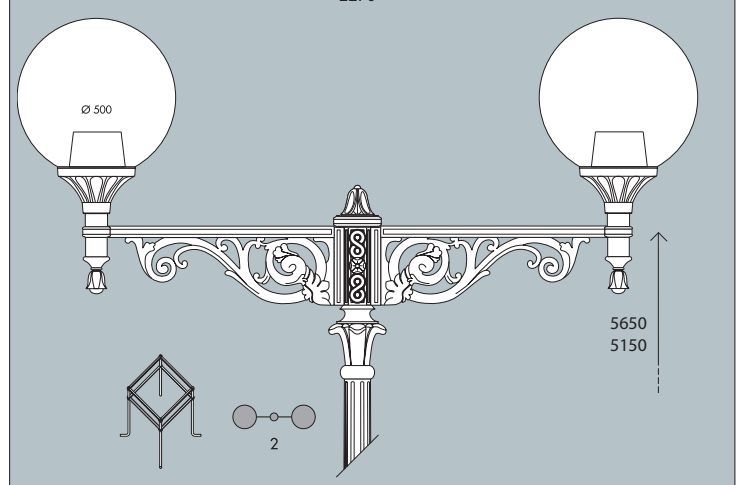
Pcs 2
Kg 9
mc 0,275



GIONA 4500 ARON/G500 2L **GIONA 5000 ARON/G500 2L**

G50.224.N20 G50.227.N20

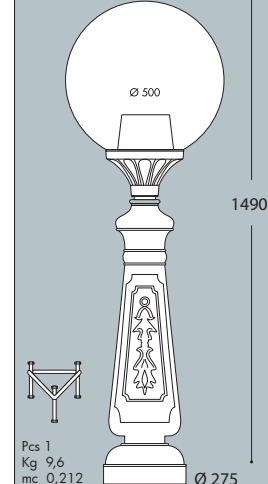
Pcs 1 Pcs 1
Kg 74 Kg 76
mc 1,115 mc 1,239



ERMON.R/G500 resin

G50.195

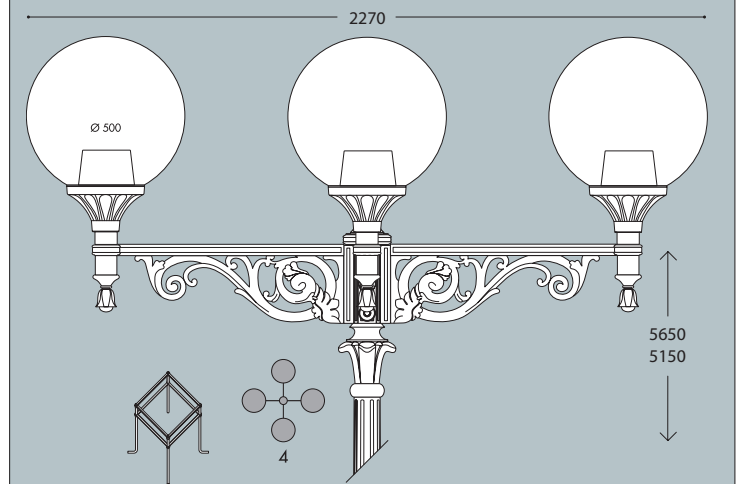
500



GIONA 4500 ARON/G500 4L **GIONA 5000 ARON/G500 4L**

G50.224.N40 G50.227.N40

Pcs 1 Pcs 1
Kg 89 Kg 91
mc 1,282 mc 1,425



GARDEN REVIVAL
GARDEN CLASSIC
BOLLARD
UP&DOWN
DOWNLIGHT
IN-GROUND
BRICKLIGHT
FLOODLIGHT
BULKHEAD
SOLAR
URBAN CLASSIC
URBAN REVIVAL
URBAN MODERN
POST
LAMPS