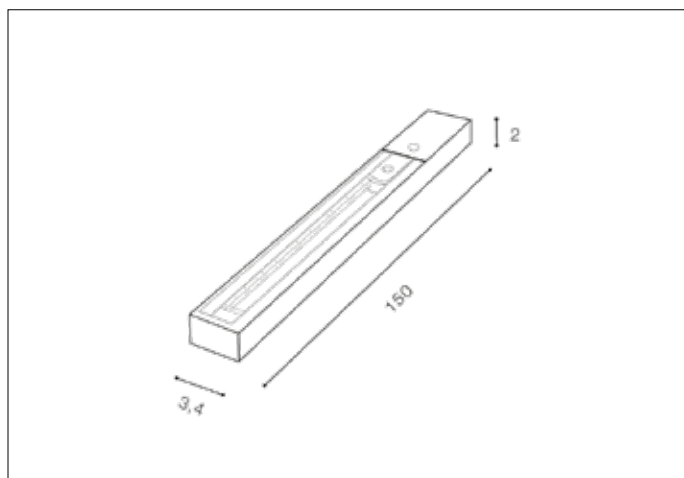




TRACK 1LINE SET 1,5M + END POWER + END CAP WH  
AZ4724, EAN 5901238447245



**Dimensions** height / width / length [cm] **Product Specifications**

Product	2 x 3,4 x 150
Mounting inlet:	N/A x N/A x N/A
Ceiling base:	N/A x N/A x N/A
Shades	N/A x N/A x N/A

Line	TECHNICAL
Type	Track
Type of track	1 Line
Colour	White
Material	Metal / PC
Light source	N/A
Type of socket	N/A
Lumens	N/A
Kelvins	N/A
Beam angle	N/A
Dimmable	N/A
CCT	N/A
RGB	N/A
RA	N/A
App remote control	N/A
Remote control	N/A
Voltage	N/AV
Power	N/A
Switch location	N/A
Protection class	N/A
Tilt	N/A
Rotation	N/A

**Shipping info** height / width / length [cm]

BOX 1:	2 x 150 x 3,4
BOX 2:	N/A x N/A x N/A
BOX 3:	N/A x N/A x N/A
Net weight [kg]	0,63
Gross weight [kg]	0,63

**Energy efficiency**



Azzardo Sp. z o.o.  
ul. Strzeszyńska 33 60-479 Poznań,  
NIP: 929-185-75-07

[www.azzardolighting.com](http://www.azzardolighting.com)