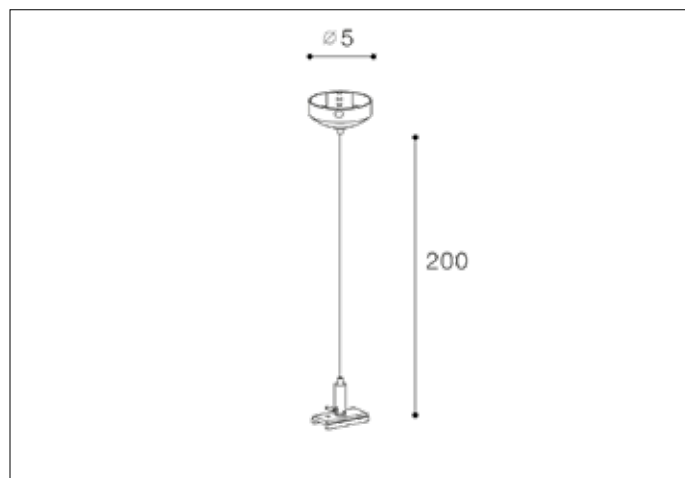


**AZzardo**<sup>®</sup>  
LIGHTING

TRACK MAGNETIC SUSPENSION KIT 2M WH

AZ4694, EAN 5901238446941



## Dimensions height / width / length [cm] Product Specifications

Product	200 x 5 x N/A
Mounting inlet:	N/A x N/A x N/A
Ceiling base:	1,8 x 5 x N/A
Shades	N/A x N/A x N/A

Line	TECHNICAL
Type	Component
Type of track	Magnetic
Colour	White
Material	Metal
Light source	N/A
Type of socket	N/A
Lumens	N/A
Kelvins	N/A
Beam angle	N/A
Dimmable	N/A
CCT	N/A
RGB	N/A
RA	N/A
App remote control	N/A
Remote control	N/A
Voltage	N/AV
Power	N/A
Switch location	N/A
Protection class	N/A
Tilt	N/A
Rotation	N/A

## Shipping info height / width / length [cm]

BOX 1:	3 x 10 x 6
BOX 2:	N/A x N/A x N/A
BOX 3:	N/A x N/A x N/A
Net weight [kg]	0,07
Gross weight [kg]	0,07

## Energy efficiency

N/A

Azzardo Sp. z o.o.  
ul. Strzeszyńska 33 60-479 Poznań,  
NIP: 929-185-75-07

[www.azzardolighting.com](http://www.azzardolighting.com)