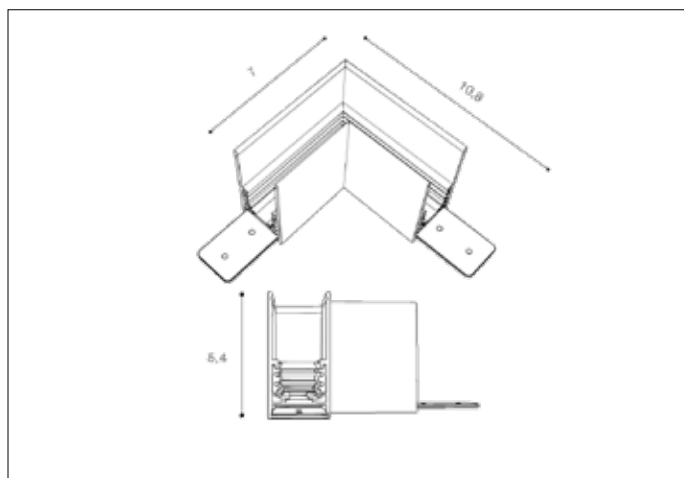




TRACK MAGNETIC CORNER 90 WH
AZ4680, EAN 5901238446804



Dimensions height / width / length [cm] **Product Specifications**

Product	5,4 x 7 ~ 10,80 x 7 ~ 10,80
Mounting inlet:	N/A x N/A x N/A
Ceiling base:	N/A x N/A x N/A
Shades	N/A x N/A x N/A

Line	TECHNICAL
Type	Component
Type of track	Magnetic
Colour	White
Material	Metal / PC
Light source	N/A
Type of socket	N/A
Lumens	N/A
Kelvins	N/A
Beam angle	N/A
Dimmable	N/A
CCT	N/A
RGB	N/A
RA	N/A
App remote control	N/A
Remote control	N/A
Voltage	N/AV
Power	N/A
Switch location	N/A
Protection class	N/A
Tilt	N/A
Rotation	N/A

Shipping info height / width / length [cm]

BOX 1:	5,5 x 12,5 x 12,5
BOX 2:	N/A x N/A x N/A
BOX 3:	N/A x N/A x N/A
Net weight [kg]	0,2
Gross weight [kg]	0,2

Energy efficiency



Azzardo Sp. z o.o.
ul. Strzeszyńska 33 60-479 Poznań,
NIP: 929-185-75-07

www.azzardolighting.com