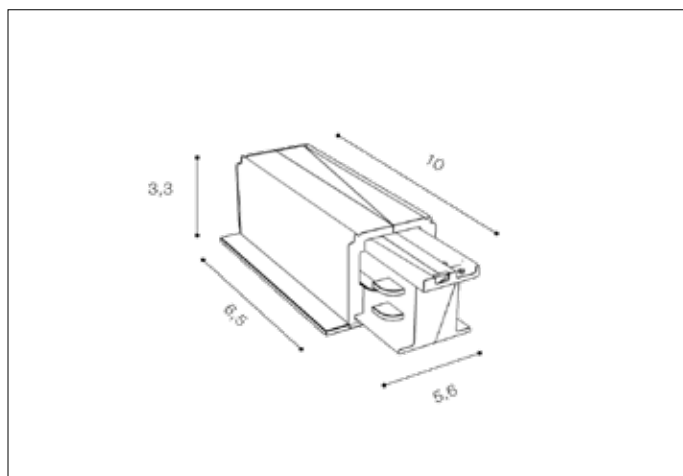




TRACK 3LINE END POWER LEFT GIPS WH
AZ4309, EAN 5901238443094



Dimensions height / width / length

| | |
|-----------------|---------------------|
| [cm] Product | 3,3 x 5,6 x 6,50 |
| Mounting inlet: | 3,2 x 3,3 x N/A |
| Ceiling base: | ~ 10N/A x N/A x N/A |
| Shades | N/A x N/A x N/A |

Product Specifications

| | |
|--------------------|-----------|
| Line | TECHNICAL |
| Type | Component |
| Type of track | 3 Line |
| Colour | White |
| Material | PC |
| Light source | N/A |
| Type of socket | N/A |
| Lumens | N/A |
| Kelvins | N/A |
| Beam angle | N/A |
| Dimmable | N/A |
| CCT | N/A |
| RGB | N/A |
| RA | N/A |
| App remote control | N/A |
| Remote control | N/A |
| Voltage | 230V |
| Power | N/A |
| Switch location | N/A |
| Protection class | N/A |
| Tilt | N/A |
| Rotation | N/A |

Shipping info height / width / length [cm]

| | |
|-------------------|-----------------|
| BOX 1: | 3,3 x 10 x 5,6 |
| BOX 2: | N/A x N/A x N/A |
| BOX 3: | N/A x N/A x N/A |
| Net weight [kg] | 0,06 |
| Gross weight [kg] | 0,06 |

Energy efficiency



Azzardo Sp. z o.o.
ul. Strzeszyńska 33 60-479 Poznań,
NIP: 929-185-75-07

www.azzardolighting.com