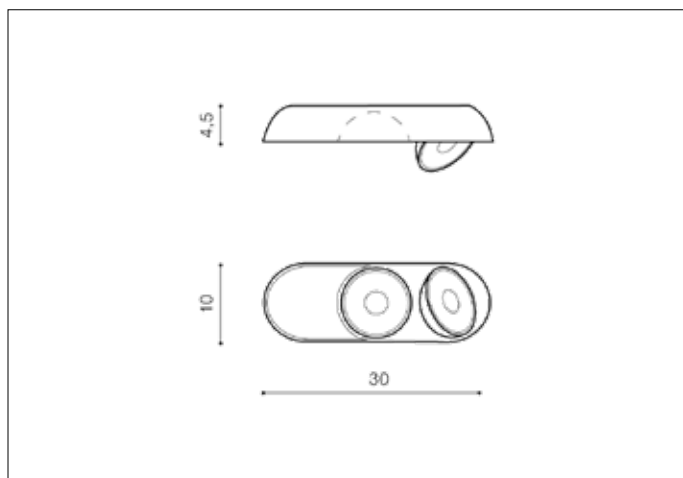


AZzardo[®]
LIGHTING

TORONTO 2 WH
AZ4072, EAN 5901238440727



Dimensions height / width / length [cm] Product Specifications

Product	4,5 x 30 x 10
Mounting inlet:	N/A x N/A x N/A
Ceiling base:	N/A x N/A x N/A
Shades	N/A x N/A x N/A

Line	TECHNICAL
Type	Exposed Downlight
Type of track	N/A
Colour	White
Material	Metal
Light source	2
Type of socket	LED INTEGRATED
Lumens	1050
Kelvins	3000
Beam angle	N/A
Dimmable	N/A
CCT	N/A
RGB	N/A
RA	? 80
App remote control	N/A
Remote control	N/A
Voltage	230V
Power	20W
Switch location	N/A
Protection class	IP20
Tilt	90°
Rotation	360°

Shipping info height / width / length [cm]

BOX 1:	5,5 x 31 x 11
BOX 2:	N/A x N/A x N/A
BOX 3:	N/A x N/A x N/A
Net weight [kg]	0,85
Gross weight [kg]	0,96

Energy efficiency



Azzardo Sp. z o.o.
ul. Strzeszyńska 33 60-479 Poznań,
NIP: 929-185-75-07

www.azzardolighting.com