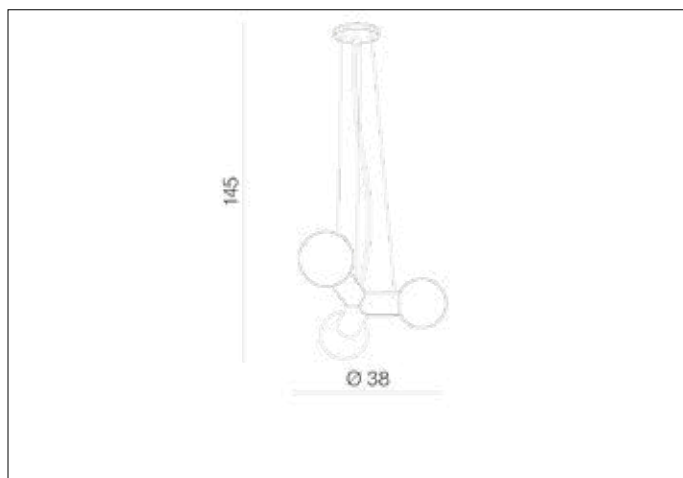


AZzardo[®]
LIGHTING

POPE BLACK

AZ3171, EAN 5901238431718



Dimensions height / width / length [cm] Product Specifications

| | |
|-----------------|-----------------|
| Product | 145 x 38 x N/A |
| Mounting inlet: | N/A x N/A x N/A |
| Ceiling base: | 3 x 13 x N/A |
| Shades | 12 x 12 x N/A |

| | |
|--------------------|---------------|
| Line | DECORATIVE |
| Type | Pendant |
| Type of track | N/A |
| Colour | Black |
| Material | Glass / Metal |
| Light source | 3 |
| Type of socket | E27 |
| Lumens | N/A |
| Kelvins | N/A |
| Beam angle | N/A |
| Dimmable | N/A |
| CCT | N/A |
| RGB | N/A |
| RA | N/A |
| App remote control | N/A |
| Remote control | N/A |
| Voltage | 230V |
| Power | max LED 40W |
| Switch location | N/A |
| Protection class | IP20 |
| Tilt | N/A |
| Rotation | N/A |

Shipping info height / width / length [cm]

| | |
|-------------------|-----------------|
| BOX 1: | 20 x 44 x 45 |
| BOX 2: | N/A x N/A x N/A |
| BOX 3: | N/A x N/A x N/A |
| Net weight [kg] | 2,4 |
| Gross weight [kg] | 2,7 |

Energy efficiency



Azzardo Sp. z o.o.
ul. Strzeszyńska 33 60-479 Poznań,
NIP: 929-185-75-07

www.azzardolighting.com