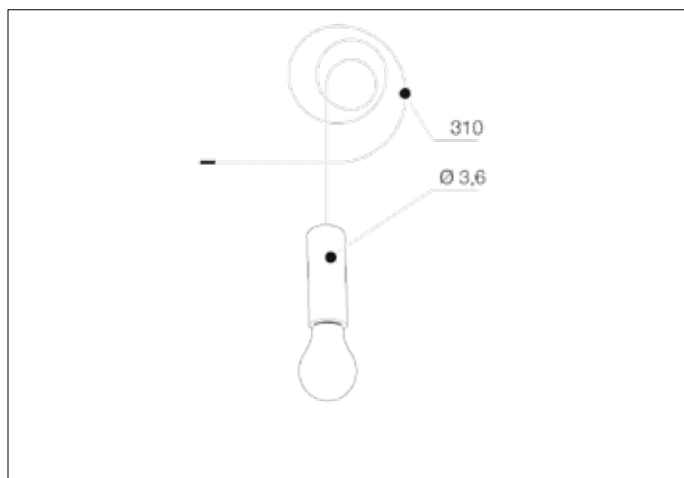


**AZzardo**<sup>®</sup>  
LIGHTING

ZIKO E27 3 METERS BLACK  
AZ3115, EAN 5901238431152



## Dimensions height / width / length [cm] Product Specifications

|                 |                 |
|-----------------|-----------------|
| Product         | 310 x 3,6 x N/A |
| Mounting inlet: | N/A x N/A x N/A |
| Ceiling base:   | N/A x N/A x N/A |
| Shades          | 10 x 3,6 x N/A  |

|                    |             |
|--------------------|-------------|
| Line               | DECORATIVE  |
| Type               | Component   |
| Type of track      | N/A         |
| Colour             | Black       |
| Material           | Aluminium   |
| Light source       | 1           |
| Type of socket     | E27         |
| Lumens             | N/A         |
| Kelvins            | N/A         |
| Beam angle         | N/A         |
| Dimmable           | N/A         |
| CCT                | N/A         |
| RGB                | N/A         |
| RA                 | N/A         |
| App remote control | N/A         |
| Remote control     | N/A         |
| Voltage            | 230V        |
| Power              | max LED 35W |
| Switch location    | N/A         |
| Protection class   | IP20        |
| Tilt               | N/A         |
| Rotation           | N/A         |

## Shipping info height / width / length [cm]

|                   |                 |
|-------------------|-----------------|
| BOX 1:            | 19 x 8 x 8      |
| BOX 2:            | N/A x N/A x N/A |
| BOX 3:            | N/A x N/A x N/A |
| Net weight [kg]   | 0,15            |
| Gross weight [kg] | 0,2             |

## Energy efficiency

N/A

Azzardo Sp. z o.o.  
ul. Strzeszyńska 33 60-479 Poznań,  
NIP: 929-185-75-07

[www.azzardolighting.com](http://www.azzardolighting.com)