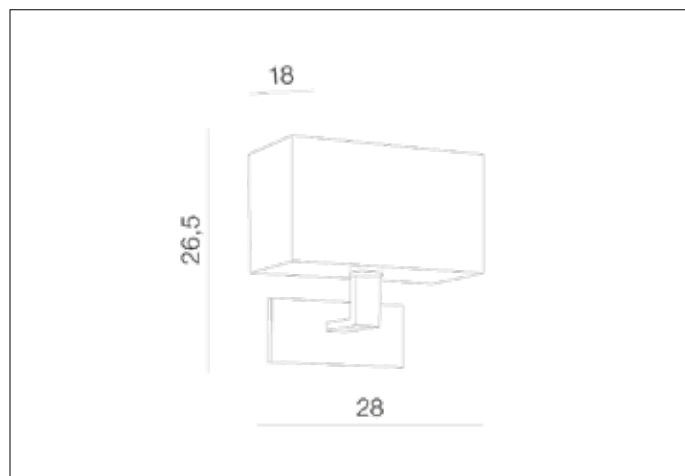


AZzardo[®]
LIGHTING

MARTENS WALL WHITE
AZ1525, EAN 5901238415251



Dimensions height / width / length [cm] Product Specifications

Product	26,5 x 28 x 18
Mounting inlet:	N/A x N/A x N/A
Ceiling base:	N/A x N/A x N/A
Shades	16 x 28 x 14

Line	DECORATIVE
Type	Wall
Type of track	N/A
Colour	White
Material	Fabric / Metal
Light source	1
Type of socket	E27
Lumens	N/A
Kelvins	N/A
Beam angle	N/A
Dimmable	N/A
CCT	N/A
RGB	N/A
RA	N/A
App remote control	N/A
Remote control	N/A
Voltage	230V
Power	max LED 60W
Switch location	N/A
Protection class	IP20
Tilt	N/A
Rotation	N/A

Shipping info height / width / length [cm]

BOX 1:	22 x 29 x 22
BOX 2:	N/A x N/A x N/A
BOX 3:	N/A x N/A x N/A
Net weight [kg]	1
Gross weight [kg]	1,1

Energy efficiency



Azzardo Sp. z o.o.
ul. Strzeszyńska 33 60-479 Poznań,
NIP: 929-185-75-07

www.azzardolighting.com