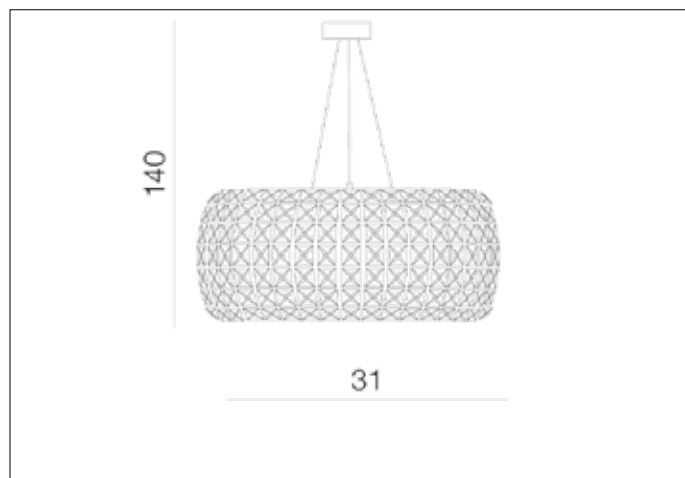


**AZzardo**<sup>®</sup>  
 LIGHTING

 SOPHIA 3  
 AZ0520, EAN 5901238405207

**Dimensions** height / width / length [cm] **Product Specifications**

Product	140 x 31 x N/A
Mounting inlet:	N/A x N/A x N/A
Ceiling base:	3 x 12 x N/A
Shades	18 x 31 x N/A

Line	DECORATIVE
Type	Pendant
Type of track	N/A
Colour	Clear / Crystal
Material	Crystal / Metal / Chrome
Light source	3
Type of socket	E14
Lumens	N/A
Kelvins	N/A
Beam angle	N/A
Dimmable	N/A
CCT	N/A
RGB	N/A
RA	N/A
App remote control	N/A
Remote control	N/A
Voltage	230V
Power	max LED 40W
Switch location	N/A
Protection class	IP20
Tilt	N/A
Rotation	N/A

**Shipping info** height / width / length [cm]

BOX 1:	26 x 38 x 38
BOX 2:	N/A x N/A x N/A
BOX 3:	N/A x N/A x N/A
Net weight [kg]	3,7
Gross weight [kg]	4,1

**Energy efficiency**

N/A

 Azzardo Sp. z o.o.  
 ul. Strzeszyńska 33 60-479 Poznań,  
 NIP: 929-185-75-07

[www.azzardolighting.com](http://www.azzardolighting.com)