



LUMINAIRE MODEL

STALACTITE
8356

CATALOGUE GROUP
COUNTRY OF ORIGIN

—
MADE IN POLAND

LIGHT SOURCE **G9**
 LIGHT SOURCES TYPE **Replaceable**
 MAXIMUM WATTAGE **13x10W only LED**
 LAMP INCLUDES SOURCE OF LIGHT **No**
 NUMBER OF LIGHT SOURCES **13**
 IP **IP20**
Interior use
 ENERGY EFFICIENCY CLASS **A++/A**



PACKAGE DIMENSIONS **36.3cm/36.3cm/30.5cm**
(L/W/H)

NET/GROSS WEIGHT **3.305kg/3.83kg**

ASSEMBLY METHOD **Bridge**

LEADING/SUPPLEMENTARY COLOR **White**

MATERIALS **Painted steel**

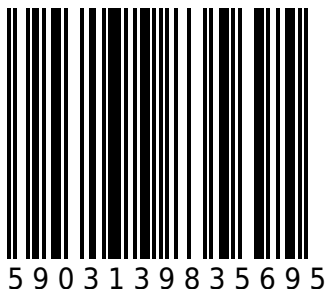
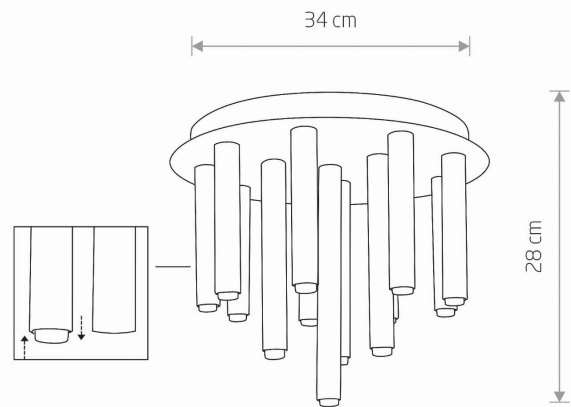
STYLE **Modern**

ELECTRICAL SECURITY CLASS **I**

POWER SUPPLY **~220-230V/50/60Hz**



DIMENSIONS



5 903139835695