



LUMINAIRE MODEL

**BRAZOS**  
**6950**

CATALOGUE GROUP  
COUNTRY OF ORIGIN

—  
**MADE IN P.R.C.**

LIGHT SOURCE **G9**  
 LIGHT SOURCES TYPE **Replaceable**  
 MAXIMUM WATTAGE **10W only LED**  
 LAMP INCLUDES SOURCE OF LIGHT **No**  
 NUMBER OF LIGHT SOURCES **2**  
 IP **IP44**  
**Interior use**



PACKAGE DIMENSIONS (L/W/H) **14cm/11.5cm/30cm**

NET/GROSS WEIGHT **0.74kg/0.78kg**

ASSEMBLY METHOD **Direct assembly**

LEADING/SUPPLEMENTARY COLOR **Chrome,White**

MATERIALS **Glass,Chrome plated steel**

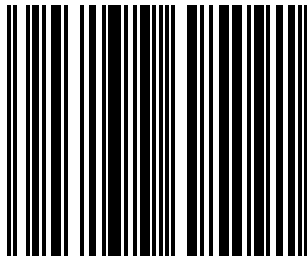
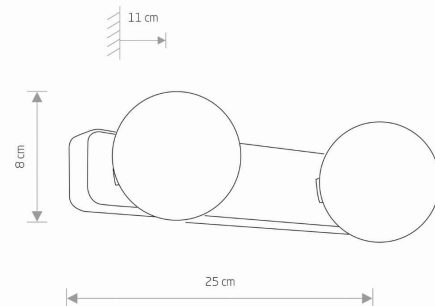
STYLE **Modern**

ELECTRICAL SECURITY CLASS **I**

POWER SUPPLY **~220-230V/50/60Hz**



**DIMENSIONS**



5 903139695091