



LUMINAIRE MODEL

VIPER
6640

CATALOGUE GROUP
COUNTRY OF ORIGIN

—
MADE IN POLAND

LIGHT SOURCE **E27**
 LIGHT SOURCES TYPE **Replaceable**
 MAXIMUM WATTAGE **25W only LED**
 LAMP INCLUDES SOURCE OF LIGHT **No**
 NUMBER OF LIGHT SOURCES **1**
 IP **IP20**
Interior use



PACKAGE DIMENSIONS (L/W/H) **150,5cm/14cm/11cm**

NET/GROSS WEIGHT **1,67kg/2,95kg**

ASSEMBLY METHOD **Bridge**

LEADING/SUPPLEMENTARY COLOR **White**

MATERIALS **Fabric, Painted steel**

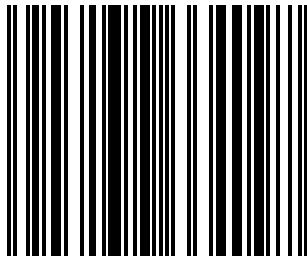
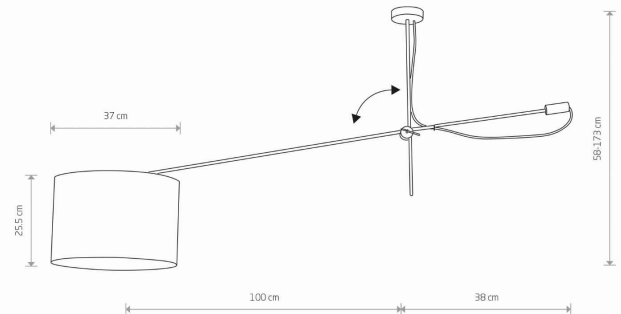
STYLE **Modern**

ELECTRICAL SECURITY CLASS **I**

POWER SUPPLY **~220-230V/50/60Hz**



DIMENSIONS



5 903139664097