

230V
50-60Hz
3p = 6h

400V
50-60Hz
4p, 5p = 6h

500V
50-60Hz
4p, 5p = 7h



Current	Voltage	Poles	Degree of protection	Hour angle	Type	Packing pcs	Weight g/pc	Dimensions page/pic.
---------	---------	-------	----------------------	------------	------	-------------	-------------	----------------------



16 A	250 V	3	IP 54		VZ 16	12	41	22/21
16 A	250 V	3	IP 54		VZ 16/Black	12	41	22/21
16 A	250 V	3	IP 54		VZ 16S	12	40	22/21
16 A	250 V	3	IP 54		VZ 16S/Black	12	40	22/21

VZ 16/Black a VZ 16S/Black - color black

House socket VZ 16S, VZ 16S/Black version SCHUKO.

When mounted on a rough surface to provide protection IP 54 should be used ND 143-0245.



16 A	250 V	3	IP 67		VZG 16	12	52	22/22
16 A	250 V	3	IP 67		VZG 16S	12	79	22/22
16 A	250 V	3	IP 67		VZG 16C	12	61	22/22

House socket VZG 16 S version SCHUKO, VZG 16 C – with children protection.



10 A	48 V	2	IP 54		VZ 48	12	34	22/23
------	------	---	-------	--	-------	----	----	-------

It is possible to insert the plug with flat pins 10 A/48V into this socket, which is in accordance with the norm STN 35 4517 modification "K" (2P). VZ48 socket can also be used in case of lower voltage, i.e. 24V or 12V. For that case it is necessary to add an extra label where applied voltage is written!



16 A	230 V	3	IP 67	6 h	IEG 1632	12	134	23/24
16 A	400 V	4	IP 67	6 h	IEG 1643	12	153	23/24
16 A	400 V	5	IP 67	6 h	IEG 1653	12	177	23/24

Built-in socket angled.



32 A	230 V	3	IP 67	6 h	IEG 3232	12	227	23/24
32 A	400 V	4	IP 67	6 h	IEG 3243	12	235	23/24
32 A	400 V	5	IP 67	6 h	IEG 3253	12	269	23/24

Built-in socket angled.



63 A	400 V	4	IP 67	6 h	IEG 6343	8	540	23/25
63 A	500 V	4	IP 67	7 h	IEG 6345	8	553	23/25
63 A	400 V	5	IP 67	6 h	IEGN 6353	8	976	23/26

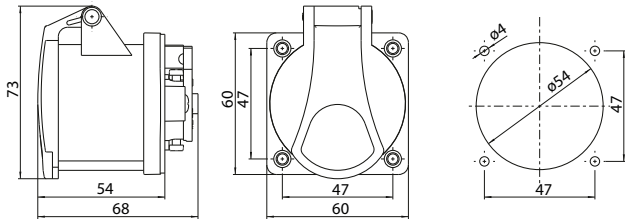
Built-in socket IEG63xx (straight.), IEGN 6353 (angled).



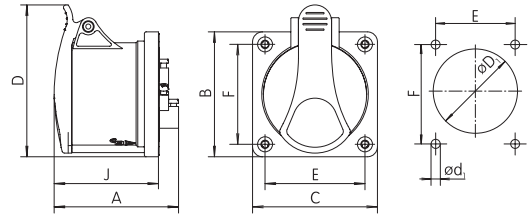
125 A	230 V	3	IP 67	6 h	IEGN 12532	2	800	23/27
125 A	400 V	4	IP 67	6 h	IEGN 12543	2	890	23/27
125 A	500 V	4	IP 67	7 h	IEGN 12545	2	890	23/27
125 A	400 V	5	IP 67	6 h	IEGN 12553	2	990	23/27
125 A	500 V	5	IP 67	7 h	IEGN 12555	2	990	23/27

Built-in socket angled. We also offer the items with codes IEGN 125xx-p (with pilot contact).

17a IERM / 1632

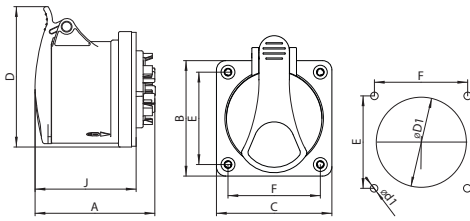


17b IERN / 16A, 32A



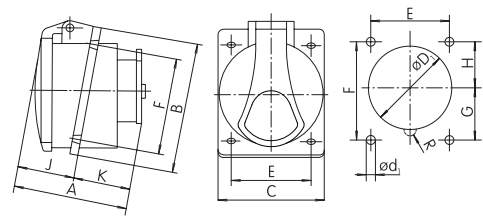
Type / mm	A	B	C	øD1	ød1	D	E	F	J
IERN 1632	73	75	75	57	4	88	60	60	61
IERN 1643	74	75	75	57	4	88	60	60	62
IERN 1653	75	75	75	57	4	91	60	60	63
IERN 3232	91	75	75	64	4	96	60	60	72
IERN 3243	91	75	75	64	4	96	60	60	72
IERN 3253	91	75	75	64	4	103	60	60	75

18 IERB / 16A, 32A



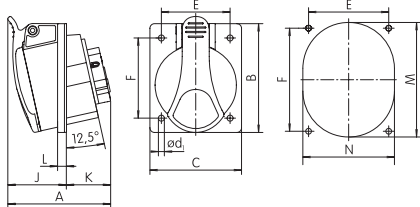
Type / mm	A	B	C	øD1	ød1	D	E	F	J
IERB 1653	78	75	75	57	4	91	60	60	66
IERB 3253	97	75	75	64	4	103	60	60	78

19 IE / 16A, 32A



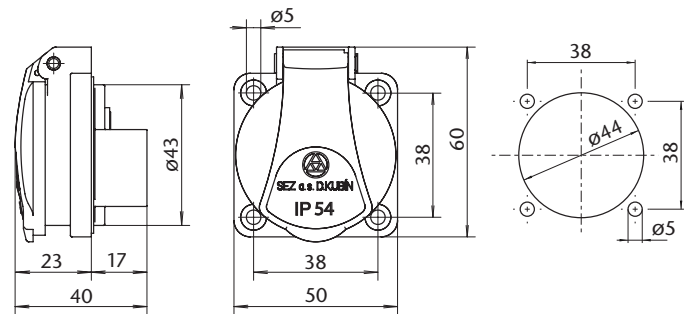
Type / mm	A	B	C	øD1	ød1	E	F	G	H	J	K
IE 1632	61	85	75	56	5,5	60	60	30	30	32	29
IE 1645	72	85	75	62	5,5	60	60	31	29	33	39
IE 3232	84	95	80	68	5,5	60	70	38	32	42	42
IE 3245	84	95	80	68	5,5	60	70	38	32	42	42

20 IEN, IEB / 16A, 32A

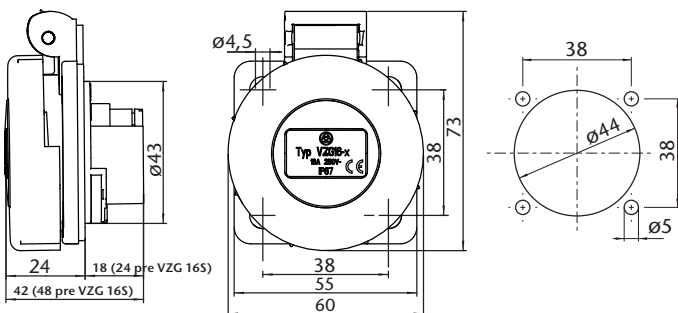


Type / mm	A	B	C	ød1	J	E	F	K	L	M	N
IEN 1643	73	85	75	5,2	42	60	60	31	7	66	58
IEN 1653	75	85	75	5,2	43	60	60	32	7	72	64
IEB 1653	85	85	75	5,2	42	60	60	43	7	72	64
IEN 3243	90	95	80	5,2	52	60	70	38	8	78	68
IEN 3253	90	95	80	5,2	52	60	70	39	8	84	70
IEB 3253	106	95	80	5,2	52	60	70	55	8	84	70

21 VZ / 16A



22 VZG / 16A



23 VZ 48 / 10A

