

BOXES and CONSUMER UNITS

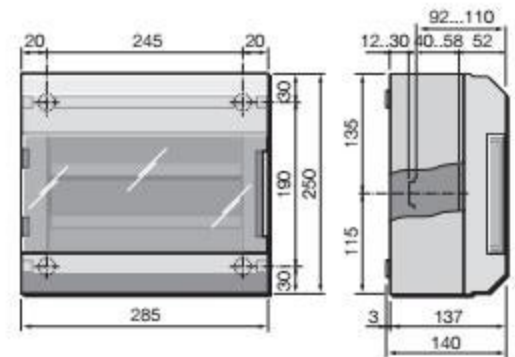
Surface mounting consumer units

IP55 surface mounting consumer units with vertically hinged door



V51112

12 modules, with adjustable DIN rail (60715 TH35) to accommodate non-standard products, RAL 7035 grey, with transparent door and screwcaps for double insulation. Dissipated power: 21 W

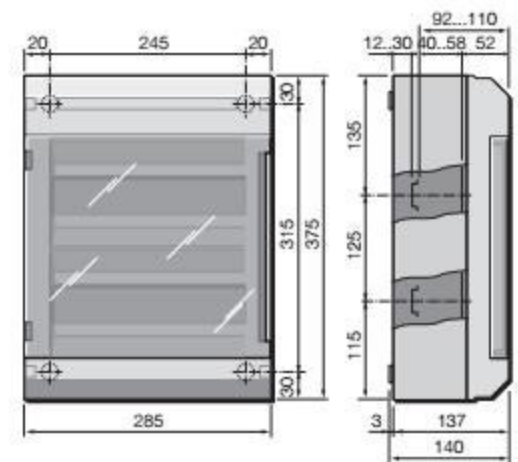


V51112



V51124

24 modules, with adjustable DIN rail (60715 TH35) to accommodate non-standard products, RAL 7035 grey, with transparent door and screwcaps for double insulation. Dissipated power: 27 W

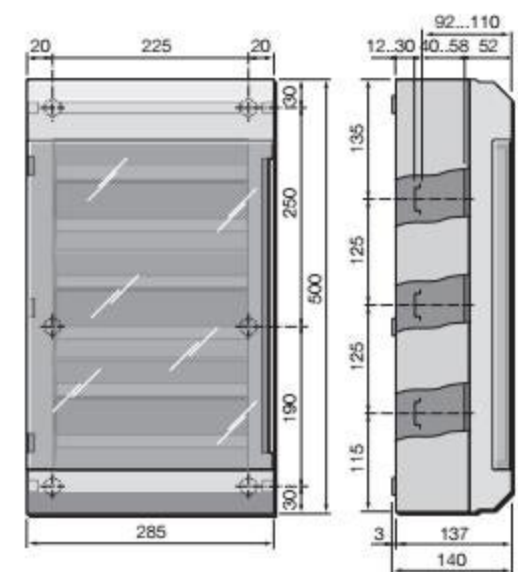


V51124



V51136

36 modules, with adjustable DIN rail (60715 TH35) to accommodate non-standard products, RAL 7035 grey, with transparent door and screwcaps for double insulation. Dissipated power: 32 W



V51136