

BOXES and CONSUMER UNITS

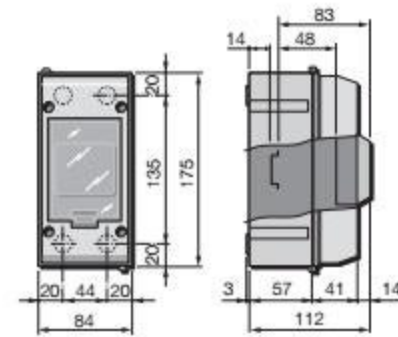
Surface mounting consumer units

IP55 surface mounting consumer units with horizontally hinged door



V51003

3 (1+2) modules, with screwcaps for double insulation, with DIN rail (60715 TH35), RAL 7035 grey, with transparent door, fumé. Dissipated power: 9 W

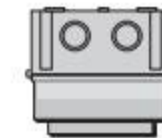
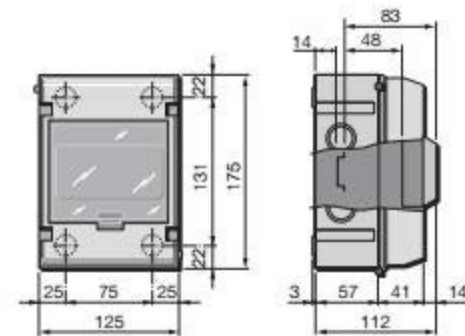


V51003



V51005

5 (4+1) modules, with screwcaps for double insulation, with DIN rail (60715 TH35), RAL 7035 grey, with transparent door, fumé. Pre-set for 2 supports for earth terminal blocks V51853. Dissipated power: 12 W

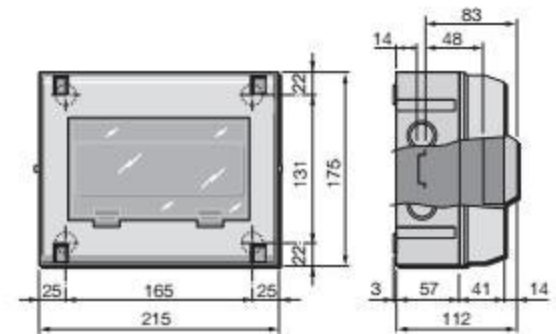


V51005



V51008

8 modules, with screwcaps for double insulation, with DIN rail (60715 TH35), RAL 7035 grey, with transparent door, fumé. Dissipated power: 21 W

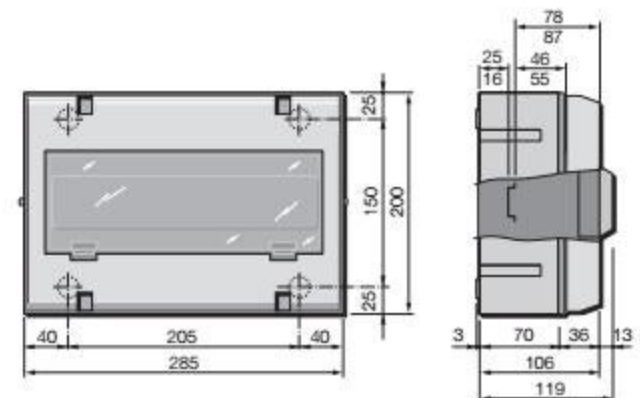


V51008



V51012

12+1 modules, with screwcaps for double insulation, with DIN rail (60715 TH35), RAL 7035 grey, with transparent door, fumé. Dissipated power: 26 W



V51012