

Composition



XJBS-A wall mounting steel enclosures is made from sheet steel, designed to be assembled with various electrical components according to different control function requirements.

Construction

Material

- Body: 1.2mm sheet steel till size XJBS-A 8060/20 then 1.5mm
- Mounting plate: 1.5mm sheet steel till size XJBS-A 8060/20 then 2.0mm
- Door: 1.2mm sheet steel size XJBS-A 8060/20 then 1.5mm

Surface finish

- Body and door: Epoxy polyester powder coating textured finish
- Mounting plate: Epoxy polyester powder coating flat finish

Color

- Body and door: RAL7032 RAL7035
- Mounting plate: RAL 2000 OR galvanized steel
- Protection degree: IP 65
- Against mechanical impacts: IK10

Feature

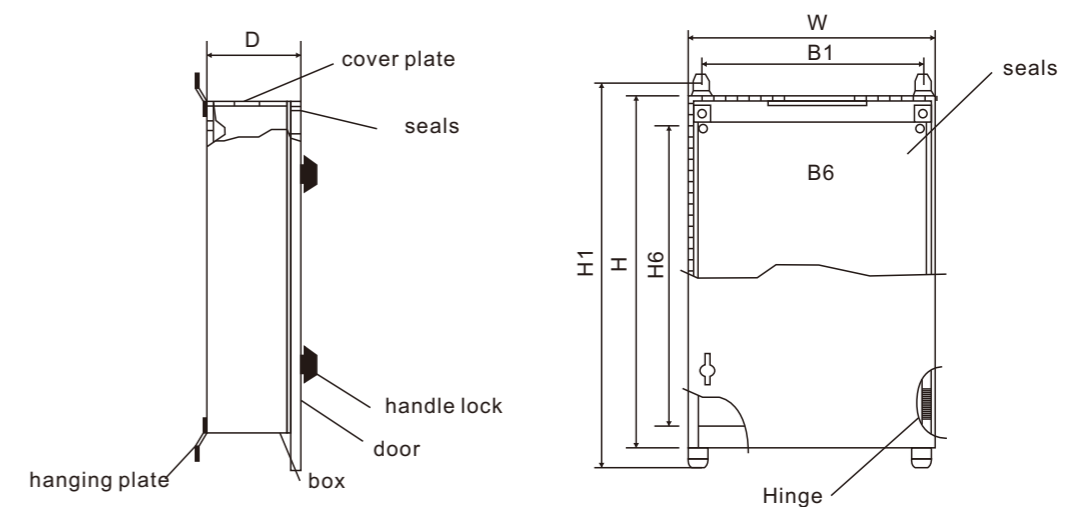
Dust and Water proof :Using PU foam Sealing gasket inside to prevent dust and water

Door opening angle: 120°by plugging hinges(reinforcing profile is aviable height from 600mm)

4 hanging holes in the back of the enclosures, installed by the wall mounting brackets which need ordered separately

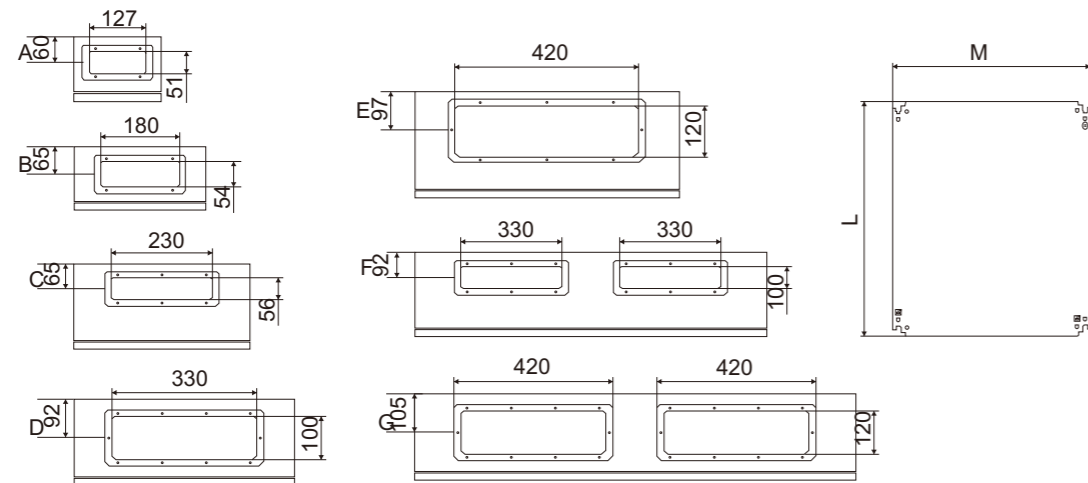
Supply

- Enclosure and door
- Mounting plate
- Lock system
- Gland plate, sealing gasket and fixing accessories

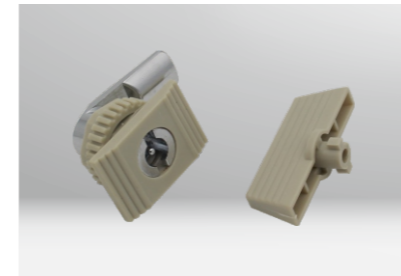


Dimension

Size			Gland Plate Size	Mounting Plate Size		Model	Size			Gland Plate Size	Mounting Plate Size	
				L	M		H(mm)	W(mm)	D(mm)			
200	200	150	A	150	150	XJBS-A 6060/30	600	600	300	E	550	450
250	200	150	A	200	150	XJBS-A 7050/15	700	500	150	C	650	450
300	200	150	A	250	150	XJBS-A 7050/20	700	500	200	D	650	450
300	250	150	B	250	200	XJBS-A 7060/20	700	600	200	E	650	550
300	250	200	B	250	200	XJBS-A 7060/25	700	600	250	E	650	550
300	300	150	B	250	250	XJBS-A 7060/30	700	600	300	E	650	550
300	300	200	B	250	250	XJBS-A 8060/20	800	600	200	E	750	550
300	300	250	B	250	250	XJBS-A 8060/25	800	600	250	E	750	550
400	300	150	C	350	250	XJBS-A 8060/30	800	600	300	E	750	550
400	300	200	C	350	250	XJBS-A 8080/20	800	800	200	F	750	750
400	300	250	C	350	250	XJBS-A 8080/25	800	800	250	F	750	750
400	300	300	C	350	250	XJBS-A 8080/30	800	800	300	F	750	750
400	400	150	C	350	350	XJBS-A 10060/20	1000	600	200	E	950	550
400	400	200	C	350	350	XJBS-A 10060/25	1000	600	250	E	950	550
400	400	250	C	350	350	XJBS-A 10060/30	1000	600	300	E	950	550
400	400	300	C	350	350	XJBS-A 10070/20	1000	700	200	E	950	650
500	300	150	C	450	250	XJBS-A 10080/20	1000	800	200	F	950	750
500	300	200	C	450	250	XJBS-A 10080/25	1000	800	250	F	950	750
500	300	250	C	450	250	XJBS-A 10080/30	1000	800	300	F	950	750
500	400	150	C	450	350	XJBS-A 10080/40	1000	800	400	F	950	750
500	400	200	D	450	350	XJBS-A 100100/25	1000	1000	250	G	950	950
500	400	250	D	450	350	XJBS-A 100100/30	1000	1000	300	G	950	950
500	400	300	D	450	350	XJBS-A 12060/20	1200	600	200	E	1150	550
500	500	200	D	450	450	XJBS-A 12060/25	1200	600	250	E	1150	550
500	500	250	D	450	450	XJBS-A 12060/30	1200	600	300	E	1150	550
500	500	300	D	450	450	XJBS-A 12080/20	1200	800	200	F	1150	750
600	400	150	D	550	350	XJBS-A 12080/25	1200	800	250	F	1150	750
600	400	200	D	550	350	XJBS-A 12080/30	1200	800	300	F	1150	750
600	400	250	D	550	350	XJBS-A 12080/40	1200	800	400	F	1150	750
600	400	300	D	550	350	XJBS-A 120100/25	1200	1000	250	G	1150	950
600	500	150	C	550	450	XJBS-A 120100/30	1200	1000	300	G	1150	950
600	500	200	D	550	450	XJBS-A 120100/40	1200	1000	400	G	1150	950
600	500	250	D	550	450	XJBS-A 14060/30	1400	600	300	E	1350	550
600	500	300	D	550	450	XJBS-A 14080/30	1400	800	300	F	1350	750
600	600	150	C	550	550	XJBS-A 14080/40	1400	800	400	F	1350	750
600	600	200	E	550	550	XJBS-A 140100/30	1400	1000	300	G	1350	950
600	600	250	E	550	550	XJBS-A 140120/30	1400	1200	300	G	1350	1150



Accessories of Wall Mount Enclosures



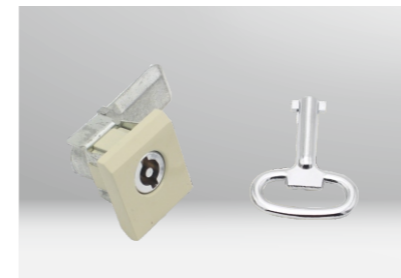
K-01



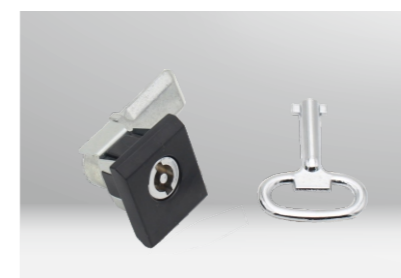
K-02



K-03,K-04



K-05



K-06



K-08



K-07



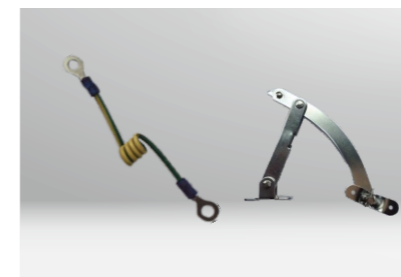
K-09



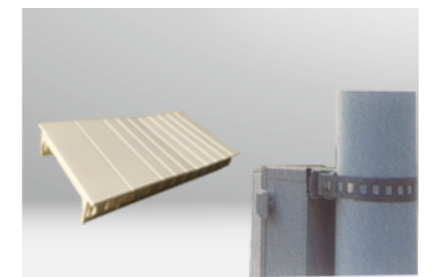
G-03



**G-01Handle
G-02Rings**



**G-01Earth wire
G-05 Door stop**



**G-07Cover
G-08 Upright post fixing**