
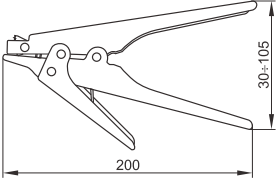

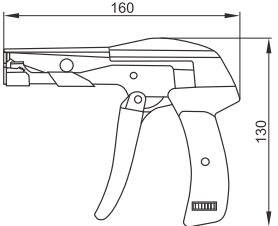




Tools for ties

PKH cable tie tensioning guns of brand IEK® are designed for quick and secure tensioning and cutting of cable ties. The following IEK® nylon cable ties are recommended for use: HOK, HP, HA, HM, HD and ties for LED panels (p. 683–685).


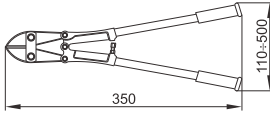
	Overall dimensions	Name	Tightened clamps width, mm	Product ID
		Guns for clamp tightening and cutting PKH-519	2,3 ÷ 9,5	THS10-W9 0
		Guns for clamp tightening and cutting PKH-600A	2,2 ÷ 4,8	THS10-W4 8

Bolt cutting pliers

Bolt cutting pliers are intended for cutting fittings, steel rods, wires, cables, nails, bolts etc. Special construction of cutter head provides for cutting rigid materials with little effort.

KPL-14 IEK® bolt cutting pliers are ideal for mounting cable trays, creating a necessary bend radius when rotating the tray, changing the tray width, their T-shape connection etc.

It is acceptable to apply the pliers for cutting cores of aluminum and copper wires when they are not under voltage.

	Overall dimensions	Name	Product ID
		Bolt cutting pliers KPL-14	TKK10-D14

Technical Features

Feature	KPL-14
Cutting bit durability, HRCe	55
Weight, kg	0,95
Max. cut cable diameter, mm	10
Max. section of cut cables, mm ²	70
Max. durability of cut cables, HRCe	30