

## ■ NH (HRC) fuses-load-breaker, size 1 (250A), for 60mm system, series Wöhner



SI336010-A

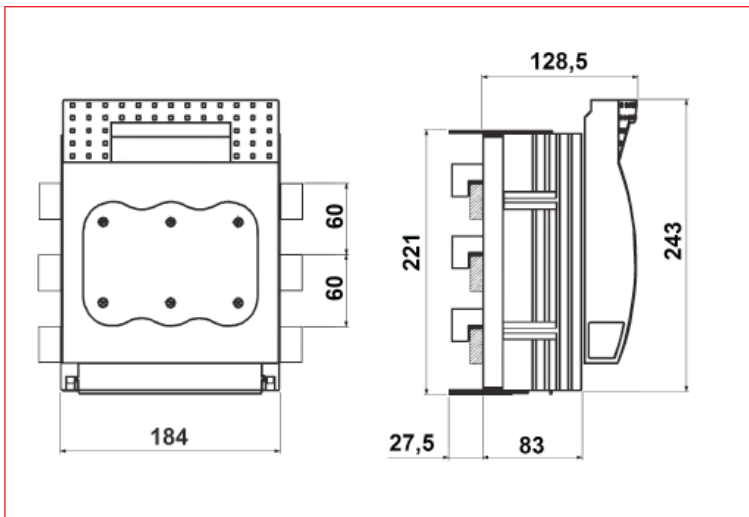
### ■ Schrack-Info

QUADRON®60Classic-NH-fuse-switch-disconnector size 1, 250 A

- Bus-mounting on 60mm busbar-system
- CrossLink® adapter technology
- Fast and safe conversion of the connection for top or bottom
- The parts under voltage remain shock protected
- Simple and safe clicking into place and making contact
- Safe connection through shock protection split into two
- Busbar supports for flat busbars can be mounted above each other
- Self-closing test holes are available in the cover.

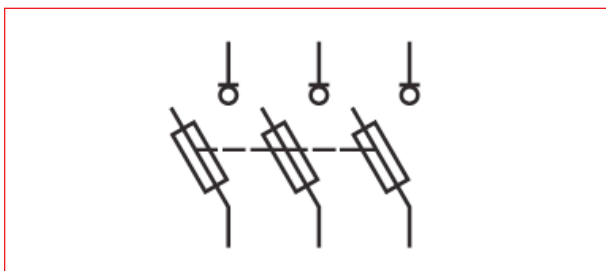
Rated current (IEC):	250 A
Poles:	3-pole
Contacts:	spring-loaded copper contacts, silver plated
Rated voltage (IEC) AC:	690 V
Rated voltage (IEC) DC:	440 V
Category of use AC:	AC-22B (400 V) AC-23B (400 V / 160A) AC-21B (690 V) AC-20B (1000V) at pollution degree 2
Category of use DC:	DC specifications: 2 current paths (L1, L3) in series DC-20B (440V) DC-20B (1000V) at level of soiling 2
Power dissipation SI336010-A (screw-terminal)	26W
Power dissipation SI333930 (boxterminal):	14,1W
rated isolation voltage $U_i$ (AC):	800 V
Rated surge voltage $U_{imp}$ :	6 kV
Max. permitted voltage (IEC) AC:	800 V
Max. permitted voltage (IEC) DC:	800 V
Rated peak withstand current $I_{pk}$ :	13.7 kA
Cond. rated short-circuit current with fuses:	80 kA / 690 V
Approved with fuse links of characteristics:	gG
Rated short-time withstand current $I_{csw}$ :	8,1kA / 1s
For fuse links IEC 60269-2-1 (I) / DIN VDE 0636-201 size 1 up to 23W power dissipation	
Degree of protection:	IP30 at front, degree of protection near terminal depends on installation
Terminal points screw:	M10, galvanized, chromized
Terminal points box terminal:	Cu 70-185mm <sup>2</sup> f Cu 35-150mm <sup>2</sup> s(r) Cu 35-120mm <sup>2</sup> f+AE Ia.Cu 15.5-24mm large terminal space 24.5 x 12mm min. terminal space height 3mm

### ■ SI336010-A Dimensioned drawing



■ NH (HRC) fuses-load-breaker, size 1 (250A), for 60mm system, series Wöhner

■ SI336010-A Wiring diagram



DESCRIPTION	AVAILABLE	ORDER NO.
Size 1, screw-terminal M10, 250A		<b>SI336010-A</b>
NH fuse switch-discon. size 1, 250 A, panel mounting, connection box terminal		<b>SI333930</b>
Size 1, screw-connection M10, 250A, with electronic fuse monitoring		SI333250
Size 1, screw-terminal M10, 250A, with electromechanical fuse monitoring		SI331600
Size 1, wedge clamp terminal, single, for Cu and Al conductors 35-150mm <sup>2</sup>		<b>SI331660</b>
Size 1, wedge clamp terminal, double, for Cu conductors 2 x 35-70mm <sup>2</sup>		SI331450
Size 1, clamp connector for Cu conductors 70-150 mm <sup>2</sup>		SI331630
Size 1, Cross Link Switch, screw-terminal M10, 250A, with electronic fuse monitoring		SI335160
Size 1, Cross Link Switch, screw-terminal M10, 250A		SI335100

■ NH (HRC) fuses-load-breaker, size 2 (400A), for 60mm system, series Wöhner



SI336020

■ Schrack-Info

QUADRON®60Classic-NH-fuse-switch-disconnector size 2, 400 A

- Bus-mounting on 60mm busbar-system
- Disconnectors are equipped with arc chambers.
- The shock protection is split into 2 for safe connection of the conductors.
- Self-closing inspection holes are available in the cover.

Rated current (IEC):	400 A
Poles:	3-pole
For busbars:	12, 15, 20, 25, 30 x 10
Contacts:	spring-loaded copper contacts, silver plated
Rated voltage (IEC) AC:	690 V
Rated voltage (IEC) DC:	440 V
Category of use AC:	AC-23B (400V) AC-22B (690V) AC-21B (690V) AC-20B (1000V) at level of soiling 2
Category of use DC:	DC specifications: 2 current paths (L1,L3) in series DC-22B (440 V) DC-21B (440 V) DC-20B (1000V) at level of soiling 2
Power dissipation:	45 W
Rated isolation voltage U <sub>i</sub> (AC):	800 V
Rated surge voltage U <sub>imp</sub> :	6 kV
Max. permitted voltage (IEC) AC:	800 V
Max. permitted voltage (IEC) DC:	800 V
Rated peak withstand current I <sub>pk</sub> :	27.2 kA
Cond. rated short-circuit current with fuses:	50 kA / 690V
Approved with fuse links of characteristics:	gG
Rated short-time withstand current I <sub>cw</sub> :	13,2kA / 1s
For fuse links IEC 60269-2-1 (I) / DIN VDE 0636-201 size 2 up to 34W power dissipation	
Degree of protection	IP30 at front, degree of protection near terminal depends on installation
Terminal points	screw M10, galvanized, chromized Md 30 - 35 Nm