

■ NH (HRC) fuses-load-breaker, size 000 (100A), series Wöhner



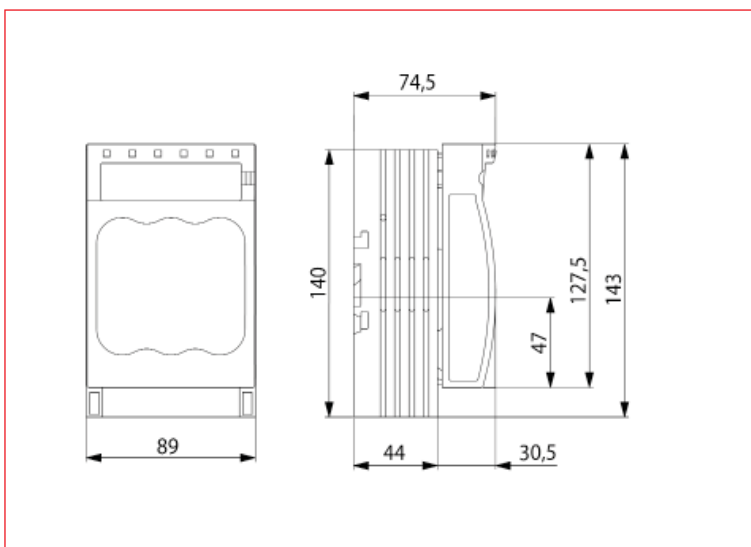
SI332170

■ Schrack-Info

- QUADRON® Panel-NH fuse switch-disconnector size 000, 125 A
- Spring-loaded copper contacts, silver plated
- Connection box terminal
- System: Mounting plate

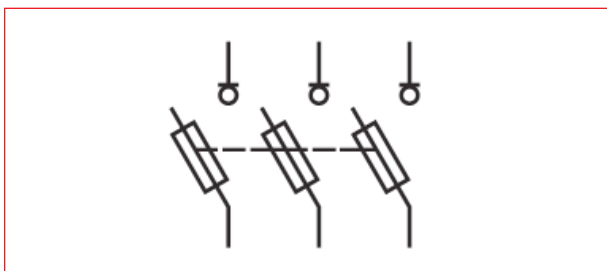
Rated current (IEC):	125 A
Poles:	3-pole
Rated voltage (IEC) AC:	690 V
Rated voltage (IEC) DC:	440 V
Category of use AC:	AC-23B (400 V)
	AC-22B (500 V)
	AC-21B (690 V)
Category of use DC:	DC specifications: 2 current paths (L1, L3) in series
	DC-22B (440V/63A)
	DC-22B (220V/100A)
	DC-21B (440V/80A)
	DC-21B (220V/125A)
Power dissipation:	5W
Rated surge voltage U_{imp} :	6 kV
Max. permitted voltage (IEC) AC:	800 V
Max. permitted voltage (IEC) DC:	800 V
Cond. rated short-circuit current with fuses:	50 kA / 690 V
Approved with fuse links of characteristics: for fuse links IEC 60269-2-1 (I) / DIN VDE 0636-201 size 000 (max. 21 mm wide) up to 9W power dissipation	gG
Degree of protection IP30 at front, degree of protection near terminal depends on installation	
Front degree of protection:	IP30
Contacts:	spring-loaded copper contacts, silver plated
Terminal points	Box terminal:
	2,5 - 50mm ² flexible cables,
	1,5 - 50mm ² flexible cables with wire-end ferrules
	1,5 - 10mm ² solid round
	16 - 50mm ² stranded round
	(flexible cables of maximum cross-section may not fit when using wire-end ferrule)
	la. Cu. 6-9 mm wide
Terminal space 10mm x 10mm	

■ SI332170 Dimensions

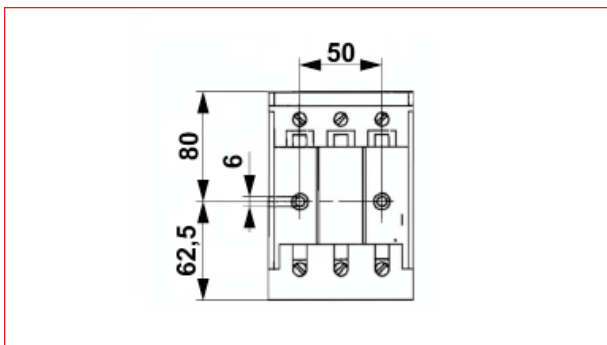


■ NH (HRC) fuses-load-breaker, size 000 (100A), series Wöhner

■ Wiring diagram



■ SI332170 Instructions for mounting



DESCRIPTION	AVAILABLE	ORDER NO.
Size 000, box-terminal 50 mm ² , for mountingplate, 125A		SI332170
Rapid mounting set for DIN-rail		SI332470
Busbar 35 mm ² , 3-pole, for 2 NH fuse switch disconnectors size 000, SI332170		SI339060