

NH (HRC) fuses-load-breaker, size 3 (630A), series Wöhner



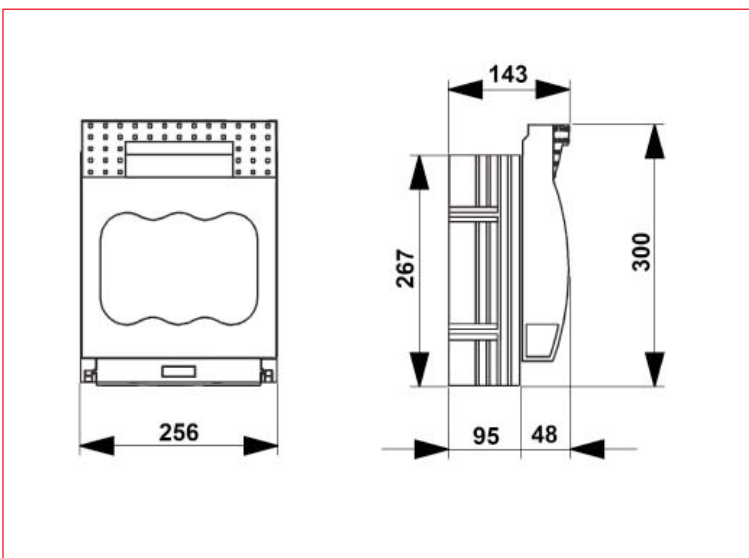
SI332030

Schrack-Info

- QUADRON® Panel-NH fuse switch-disconnector size 3, 630 A
- System: mounting plate
- Spring-loaded copper contacts, silver plated
- For safe connection of the leads, the shock protection is split into 2.
- Self-closing inspection holes are available in the cover.
- Also available with fuse monitoring

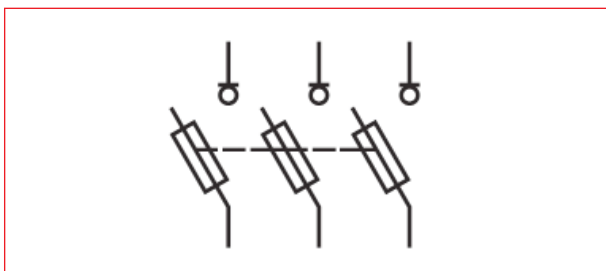
Rated current (IEC):	630 A
Poles:	3-pole
Rated voltage (IEC) AC:	690 V
Rated voltage (IEC) DC:	440 V
Category of use AC:	AC-23B (400V)
	AC-22B (690V)
	AC-21B (690V)
	AC-20B (1000V) at level of soiling 2
Category of use DC:	DC specifications: 2 current paths (L1,L3) in series
	DC-22B (440V)
	DC-21B (440V)
	DC-20B (1000V) at level of soiling 2
Power dissipation:	36W
Rated isolation voltage U_i (AC):	800 V
Rated surge voltage U_{imp} :	6 kV
Max. permitted voltage (IEC) AC:	800 V
Max. permitted voltage (IEC) DC:	800 V
Rated peak withstand current I_{pk} :	35.2 kA
Ccond. rated short-circuit current with fuses:	50 kA / 690V
Approved with fuse links of characteristics:	gG
Rated short-time withstand current I_{cw} :	15,1kA / 1s
For fuse links IEC 60269-2-1 (I) / DIN VDE 0636-201 size 3 up to 48W power dissipation	
Contacts:	spring-loaded copper contacts, silver plated
Degree of protection	IP30 at front, degree of protection near terminal depends on installation
Terminal points:	screw M12
	Md 35 - 40 Nm

Dimensions

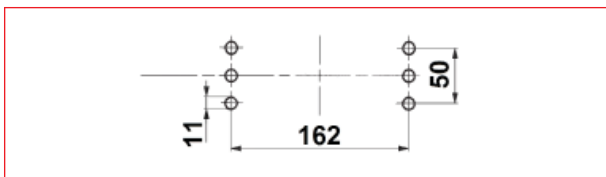



■ NH (HRC) fuses-load-breaker, size 3 (630A), series Wöhner

■ Wiring diagram



■ Instructions for mounting



DESCRIPTION	AVAILABLE	ORDER NO.
Size 3, screw-connection M12, 630A		SI332030
Size 3, screw-terminal M12, 630A, with electromechanical fuse monitoring		SI331510
Size 3, screw-connection M12, 630A, with electronic fuse monitoring		SI333320

