

■ NH (HRC) fuses-load-breaker, size 2 (400A), series Wöhner



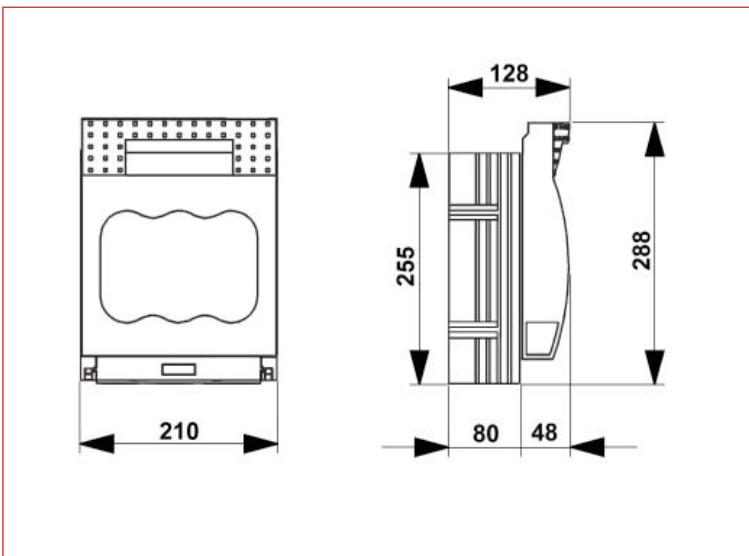
SI332010-A

■ Schrack-Info

- QUADRON® Panel-NH fuse switch-disconnector size 2, 400 A
- System: mounting plate
- Spring-loaded copper contacts, silver plated
- For safe connection of the leads, the shock protection is split into 2.
- Self-closing inspection holes are available in the cover.
- Also available with fuse monitoring.

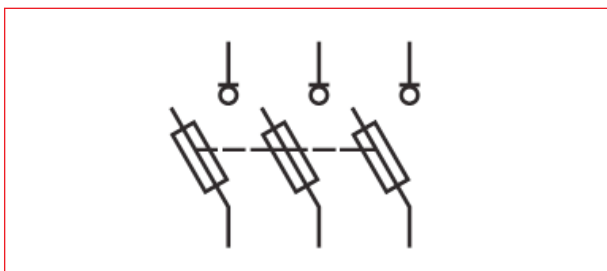
Rated current (IEC):	400 A
Poles:	3-pole
Rated voltage (IEC) AC:	690 V
Rated voltage (IEC) DC:	440 V
Category of use AC:	AC-23B (400V)
	AC-22B (690V)
	AC-21B (690V)
	AC-20B (1000V) at level of soiling 2
Category of use DC:	DC specifications: 2 current paths (L1,L3) in series
	DC-22B (440V)
	DC-21B (440V)
	DC-20B (1000V) at level of soiling 2
Power dissipation:	22W
Rated isolation voltage U_i (AC):	800 V
Rated surge voltage U_{imp} :	6 kV
Max. permitted voltage (IEC) AC:	800 V
Max. permitted voltage (IEC) DC:	800 V
Rated peak withstand current I_{pk} :	27.2 kA
Cond. rated short-circuit current with fuses:	50 kA / 690V
Approved with fuse links of characteristics:	gG
Rated short-time withstand current I_{cw} :	13,2kA / 1s
For fuse links IEC 60269-2-1 (I) / DIN VDE 0636-201 size 2 up to 34W power dissipation	
Contacts:	spring-loaded copper contacts, silver plated
Degree of protection:	IP30 at front, degree of protection near terminal depends on installation
Front degree of protection:	IP30
Terminal points screw	M10

■ Dimensions

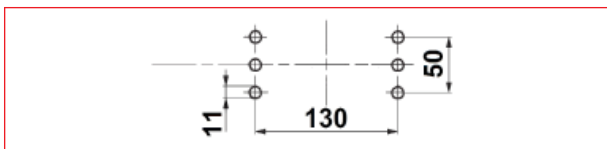



■ NH (HRC) fuses-load-breaker, size 2 (400A), series Wöhner

■ Wiring diagram



■ Instructions for mounting



DESCRIPTION	AVAILABLE	ORDER NO.
Size 2, screw-connection M10, 400A		SI332020
Size 2, screw-terminal M10, 400A, with electromechanical fuse monitoring		SI331500
Size 2, screw-connection M10, 400A, with electronic fuse monitoring		SI333310