

■ NH (HRC) fuses-load-breaker, size 1 (250A), series Wöhner



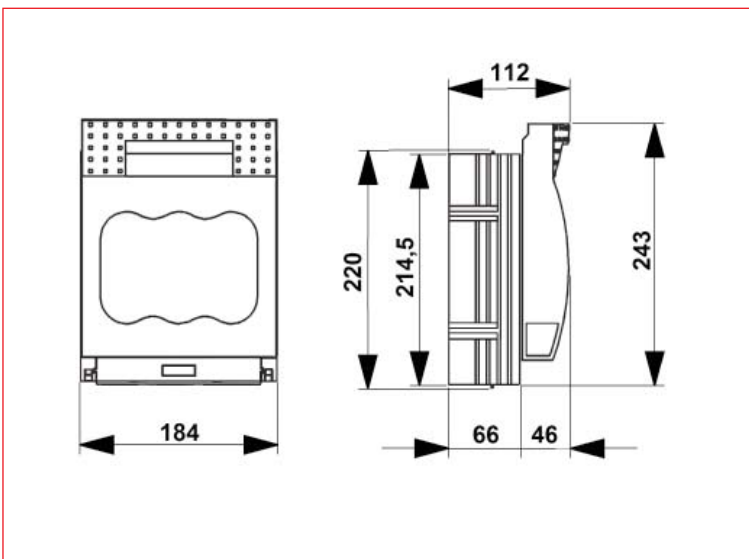
SI332010-A

■ Schrack-Info

- QUADRON® Panel-NH fuse switch-disconnector size 1, 250 A
- System: mounting plate
- Spring-loaded copper contacts, silver plated
- For safe connection of the leads, the shock protection is split into 2.
- Self-closing inspection holes are available in the cover.
- Also available with fuse monitoring.

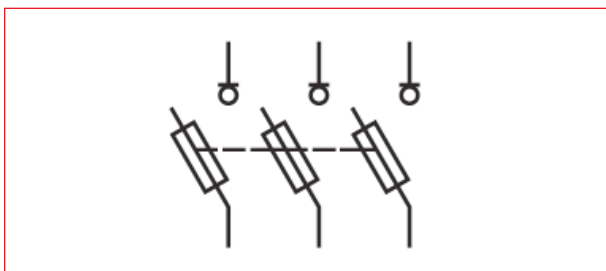
Rated current (IEC):	250 A
Poles:	3-pole
Rated voltage (IEC) AC:	690 V
Rated voltage (IEC) DC:	440 V
Category of use AC:	AC-22B (400 V)
	AC-23B (400 V / 160A)
	AC-21B (690 V)
	AC-20B (1000V) at level of soiling 2
Category of use DC:	DC specifications: 2 current paths (L1,L3) in series
	DC-20B (440V)
	DC-20B (1000V)
Power dissipation:	14,1W
Rated isolation voltage U_i (AC):	800 V
Rated surge voltage U_{imp} :	6 kV
Max. permitted voltage (IEC) AC:	800 V
Max. permitted voltage (IEC) DC:	800 V
Rated peak withstand current I_{pk} :	13,7 kA
Cond. rated short-circuit current with fuses:	80 kA / 690 V
Approved with fuse links of characteristics:	gG
Rated short-time withstand current I_{cw} :	8,1 kA / 1s
For fuse links IEC 60269-2-1 (I) / DIN VDE 0636-201 size 1	up to 23W power dissipation
Contacts:	spring-loaded copper contacts, silver plated
Front degree of protection:	IP30
Terminal points screw:	M10
Terminal points screw box terminal:	Cu 70-185mm ² f
	Cu 35-150mm ² s(r)
	Cu 35-95mm ² f+AE
	la.Cu 15.5-24mm large
	terminal space 24.5 x 12mm min. terminal space height 3mm

■ Dimensions

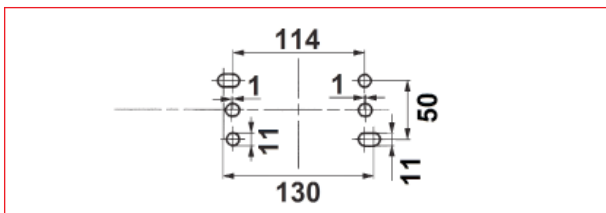





■ NH (HRC) fuses-load-breaker, size 1 (250A), series Wöhner

■ Wiring diagram



■ Instructions for mounting



DESCRIPTION	AVAILABLE	ORDER NO.
Size 1, screw-connection M10, 250A		SI332010-A
Size 1, screw-terminal M10, 250A, with electromechanical fuse monitoring		SI331490
Ark chamber NH disconnectors size 1		SI339180
NH fuse switch-discon. size 1, 250 A, panel mounting, connection box terminal		SI333930