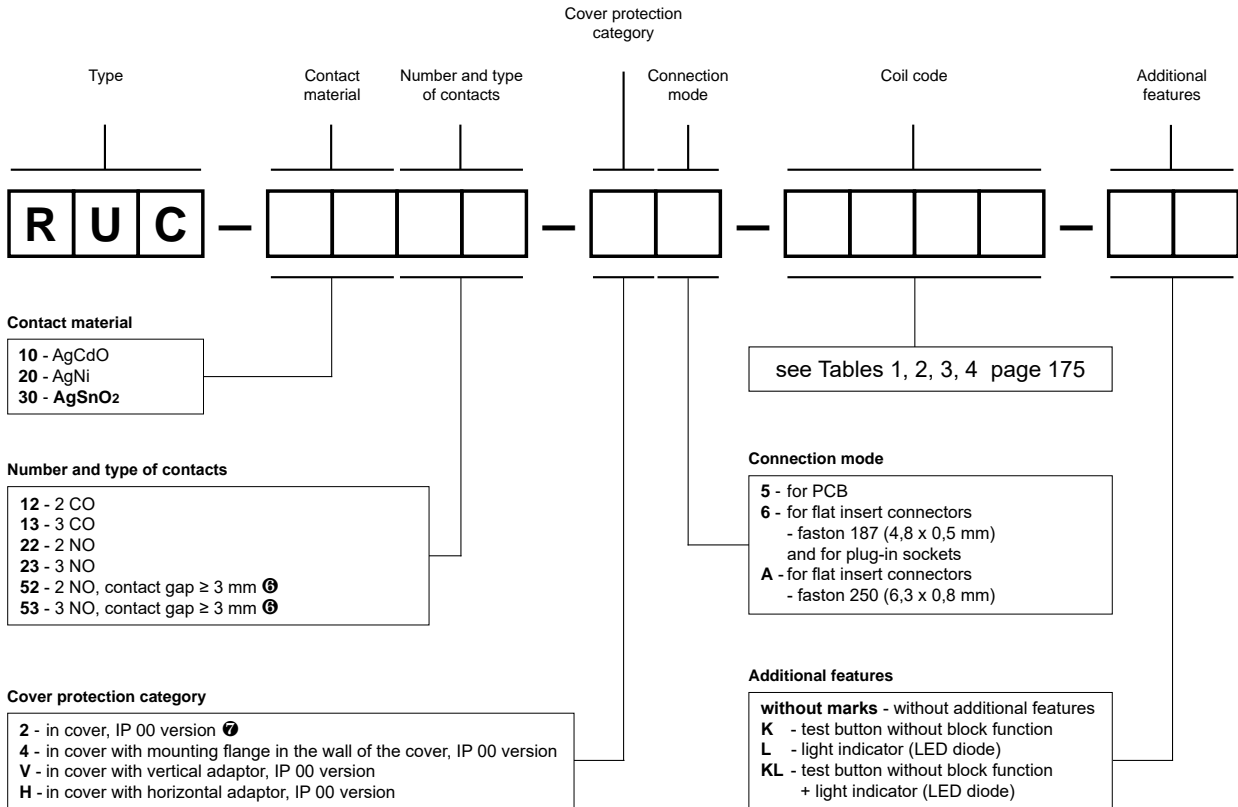


Ordering codes



⑥ For versions with reinforced DC coils: W012, W024, W048, W110, W220 and with AC coils.
⑦ For relays RUC: for plug-in sockets; for PCB.

Examples of ordering codes:

- RUC-3053-26-W024** relay **RUC**, faston 187 (4,8 x 0,5 mm), with contact gap ≥ 3 mm, for plug-in sockets, three normally open contacts, contact material AgSnO₂, reinforced coil voltage 24 V DC, in cover IP 00
- RUC-2013-V6-3400-KL** relay **RUC**, faston 187 (4,8 x 0,5 mm), for flat insert connectors, with vertical adaptor (V), three changeover contacts, contact material AgNi, coil voltage 400 V AC 50 Hz, with test button without block function and light indicator (LED diode), in cover IP 00
- RUC-2052-HA-W220-L** relay **RUC**, faston 250 (6,3 x 0,8 mm), for flat insert connectors, with contact gap ≥ 3 mm, with horizontal adaptor (H), two normally open contacts, contact material AgNi, reinforced coil voltage 220 V DC, with light indicator (LED diode), in cover IP 00
- RUC-1022-25-5024** relay **RUC**, for PCB, two normally open contacts, contact material AgCdO, coil voltage 24 V AC 50/60 Hz, in cover IP 00

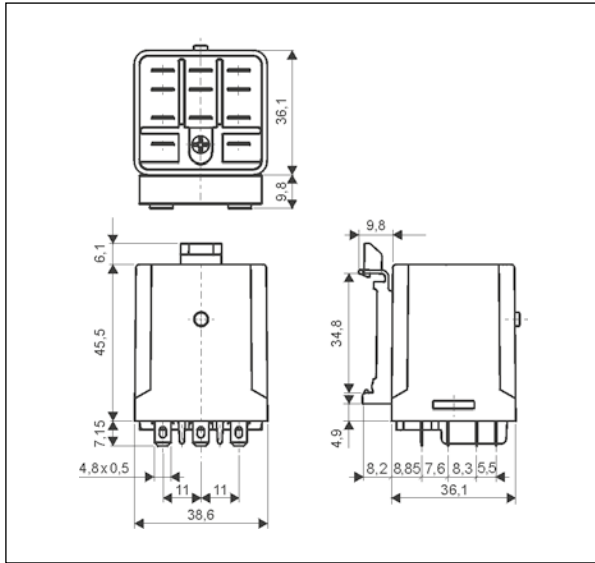
RUCT, PRUCT

Relays for
railroad industry
- see
www.repol.com.pl

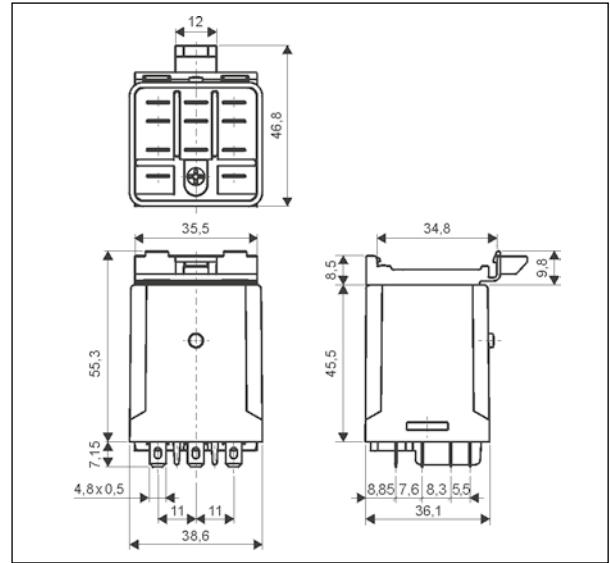
NEW



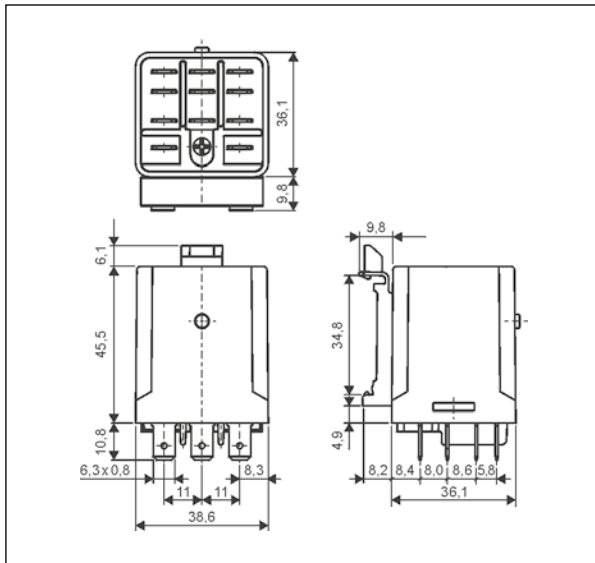
Dimensions - RUC faston 4,8 x 0,5
- version with vertical adaptor (V)



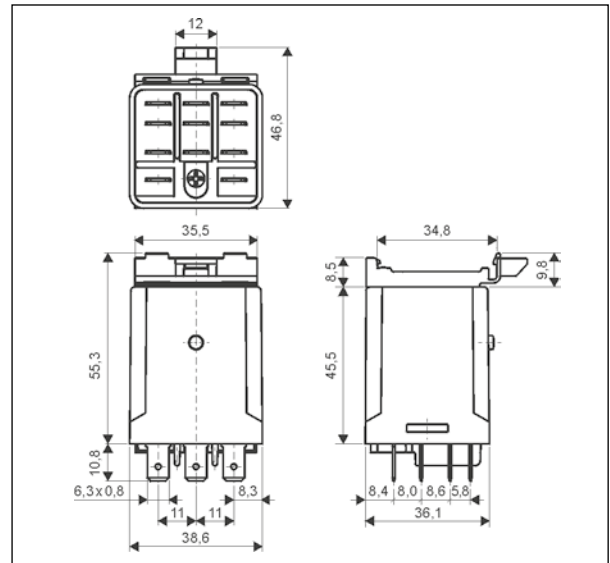
Dimensions - RUC faston 4,8 x 0,5
- version with horizontal adaptor (H)



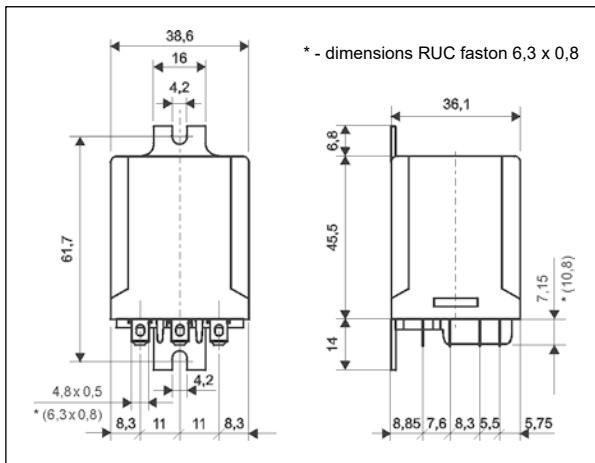
Dimensions - RUC faston 6,3 x 0,8
- version with vertical adaptor (V)



Dimensions - RUC faston 6,3 x 0,8
- version with horizontal adaptor (H)

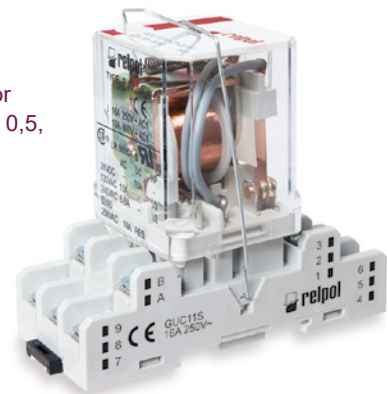


Dimensions - RUC faston 4,8 x 0,5 (faston 6,3 x 0,8)
- version with mounting flange in the wall of the cover



GUC11S

Screw terminals
plug-in sockets for
RUC faston 4,8 x 0,5,
RUC-M
- see page 374



Coil data - DC voltage version, standard

Table 1

Coil code	Rated voltage V DC	Coil resistance at 20 °C Ω	Acceptable resistance	Coil operating range V DC	
				min. (at 20 °C)	max. (at 55 °C) ④
1006	6	28	± 10%	4,8	6,6
1012	12	110	± 10%	9,6	13,2
1024	24	430	± 10%	19,2	26,4
1042	42	1 340	± 10%	33,6	46,2
1048	48	1 750	± 10%	38,4	52,8
1060	60	2 700	± 10%	48,0	66,0
1110	110	9 200	± 10%	88,0	121,0
1120	120	11 000	± 10%	96,0	132,0
1220	220	37 000	± 10%	176,0	242,0

The data in bold type relate to the standard versions of the relays.

Coil data - DC voltage version, reinforced

Table 2

Coil code ⑤	Rated voltage V DC	Coil resistance at 20 °C Ω	Acceptable resistance	Coil operating range V DC	
				min. (at 20 °C)	max. (at 55 °C) ④
W012	12	85	± 10%	9,6	13,2
W024	24	345	± 10%	19,2	26,4
W048	48	1 370	± 10%	38,4	52,8
W110	110	7 300	± 10%	88,0	121,0
W220	220	30 000	± 10%	176,0	242,0

④ Max. (at 70 °C) for versions: 3 CO, 3 NO / 10 A; 2 CO, 2 NO / 16 A

⑤ For version with contact gap ≥ 3 mm.

Coil data - AC 50/60 Hz voltage version

Table 3

Coil code	Rated voltage V AC	Coil resistance at 20 °C Ω	Acceptable resistance	Coil operating range V AC	
				min. (at 20 °C)	max. (at 55 °C)
5006	6	4,3	± 15%	4,8	6,6
5012	12	18,5	± 15%	9,6	13,2
5024	24	75	± 15%	19,2	26,4
5115	115	1 840	± 15%	92,0	126,5
5120	120	1 910	± 15%	96,0	132,0
5220	220	6 980	± 15%	176,0	242,0
5230	230	7 080	± 15%	184,0	253,0
5240	240	7 760	± 15%	192,0	264,0

Coil data - AC 50 Hz voltage version

Table 4

Coil code	Rated voltage V AC	Coil resistance at 20 °C Ω	Acceptable resistance	Coil operating range V AC	
				min. (at 20 °C)	max. (at 55 °C)
3400	400	21 500	± 15%	320,0	440,0