

Individual configuration of distribution box



Key for marking ROS 16yy, 32yy and ROS P

Example of marking **ROS -I 16 03 A / S**

- unprotected
- P** – Praktik
- PG** – Praktik with degree of protection IP 67
- I** – protected
- FI** – protected + current protector

16, 32 – nominal current 16A, 32A

number combination of fitting

- A** – with possibility of protection (without breakers)
- D** – with handle
- D/A** – with handle with possibility of protection (without breakers)

S – Schuko version

Sign „A“

Protected distribution box without the circuit breakers with prepared wires to connect the circuit breakers according to the recommended and attached connection scheme. The socket outlets are not wired separately for particular connection to the individual circuit breakers, they are looped together. Circuit breakers must be used.

Key for marking ROS Modul

Example of marking **ROS M13 / EM -035 / S**

- M6** – 6 modules
- M8** – 8 modules
- M13** – 16 modules
- M32** – 32 modules

- x** – unprotected
- I** – protected
- FI** – protected + current protector
- EM** – electrometer

number combination of fitting

S – Schuko version

Key for marking ROS 4, 5-6, 7, 11, 13

Example of marking **ROS 11 / FI-01 EM / A / S**

4,5-6,7,11,13 – number of modules

- x** – unprotected
- I** – protected
- FI** – protected + current protector
- V** – with switch

number combination of fitting

- EM** – electrometer
- /A** – with possibility of protection (without breakers)
- S** – Schuko version

Sign „/A“

Distribution box without the circuit breakers, yet fully equipped with wires to connect the circuit breakers according to the recommended and attached connection scheme. The socket outlets are wired separately for particular connection to the individual circuit breakers and also to the N and PE bridges (without looping, the difference compared to ROS-I 16xx A, 32xx A). Circuit breakers must be used.

Sign „/x“

Distribution box without the circuit breakers with prepared wires to connect the common circuit breaker (one) of a specific brand according to customer's preferences. However, the customer needn't necessarily use the circuit breaker and can connect the power cable directly into the prepared power inlet terminals. The socket outlets are looped together for this usage.

Key for marking ROP and VZS

Example of marking **ROP 16 5 3 -2xVZ / S**

ROP, VZS – type

16, 32 – nominal current 16A, 32A

4,5 = 4-poles, 5-poles

number combination of fitting

VZ – number of VZ 16

S – Schuko version

Individual configuration of distribution boxes

Except of distribution boxes in the catalog that we are able to supply the ROSes on demand. According to request of the user, it is possible to supply any other the permissible combinations. Examples of „custom distribution boxes“:



Distribution boxes ROSP (Praktik)

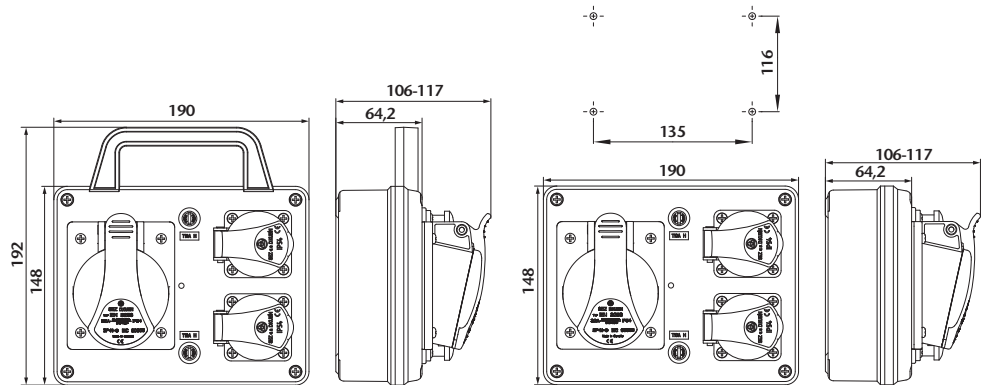


Distribution box ROSP IP 54

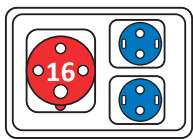


Suitable for the connection of 3-phase as well as 1-phase devices. 32 A variants are supplied with 2 x tube fuse F10H/250 V for protection for single-phase socket. Distribution box with handle have been designed to be part of mobile wiring. There is a possibility to use it in exterior as well as interior environment, block of flats and houses, building sites and also in industrial zones. Box contains cable gland TVM 16 for 16A and TVM 21 for 32 A.

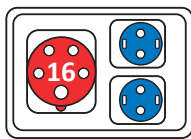
- degree of protection: IP 54, 67
- nominal working voltage: 400V~, 250V~, 50 Hz
- nominal current: 16A, 32A
- mechanical resistance of boxes: IK 10



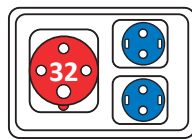
ROSP - IP 54



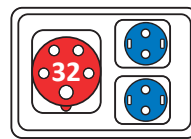
ROSP 1630/S



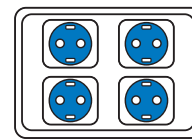
ROSP 1631/S



ROSP 3230/S

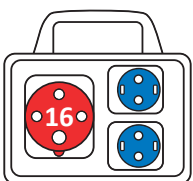


ROSP 3231/S



ROSP 4VZ/S

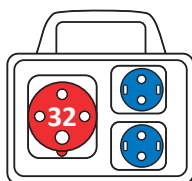
ROSP with handle - IP 54



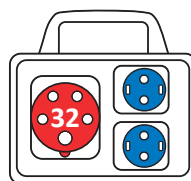
ROSP 1630 D/S



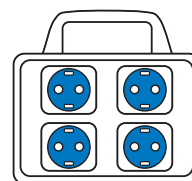
ROSP 1631 D/S



ROSP 3230 D/S

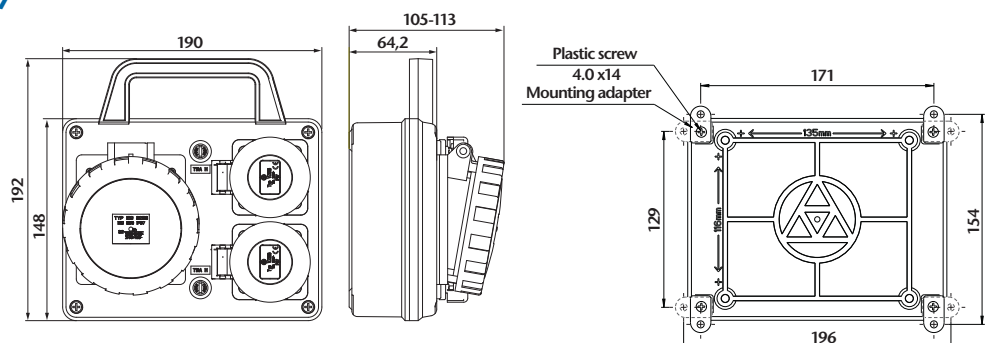


ROSP 3231 D/S



ROSP 4VZ D/S

Distribution box ROSPG IP 67



4p - 16A

5p - 16A

3p house

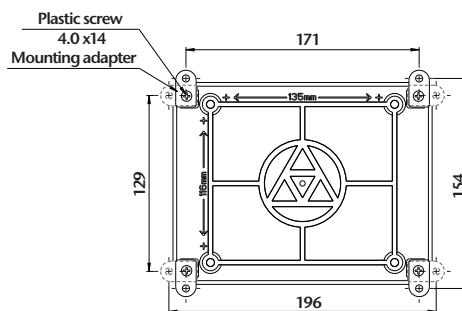
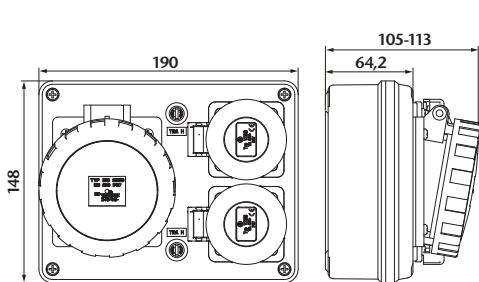


4p - 32A

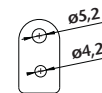
5p - 32A



Distribution boxes ROSPG (Praktik)

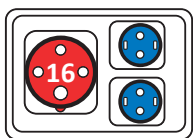


Mounting adapter

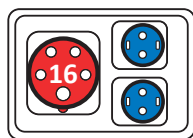


Note: Mounting adapter and screws are included with ROSPG.

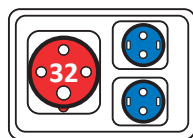
ROSPG - IP 67



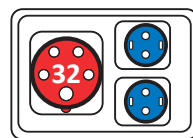
ROSPG 1630/S



ROSPG 1631/S

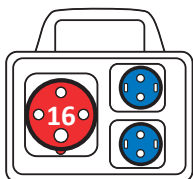


ROSPG 3230/S



ROSPG 3231/S

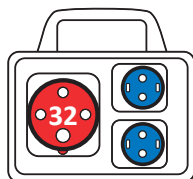
ROSPG with handle - IP 67



ROSPG 1630 D/S



ROSPG 1631 D/S



ROSPG 3230 D/S



ROSPG 3231 D/S

NUMBER OF SOCKETS			TUBE FUSE	TYPE	
HOUSE	INDUSTRIAL			VARIANT	
250V	400V			4 POLES 3 P+PE	5 POLES 3 P+N+PE
16A	16A	32A			
			F10H/250V		
ROS – IP 54					
2	1			ROSP 1630/S	ROSP 1631/S
2		1	2	ROSP 3230/S	ROSP 3231/S
4				ROSP 4VZ/S*	
ROS WITH HANDLE – IP 54					
2	1			ROSP 1630 D/S	ROSP 1631 D/S
2		1	2	ROSP 3230 D/S	ROSP 3231 D/S
4				ROSP 4VZ D/S*	
ROS – IP 67					
2	1			ROSPG 1630/S	ROSPG 1631/S
2		1	2	ROSPG 3230/S	ROSPG 3231/S
ROS WITH HANDLE – IP 67					
2	1			ROSPG 1630 D/S	ROSPG 1631 D/S
2		1	2	ROSPG 3230 D/S	ROSPG 3231 D/S

According to request of the user, it is possible to supply any other the permissible combinations.

* These types contain only 3P sockets.