

16A breaker
3-phase C



16A breaker
1-phase B



Cable length
[m]



32A breaker
3-phase C



16A breaker
1-phase C



3-ph. current
protector

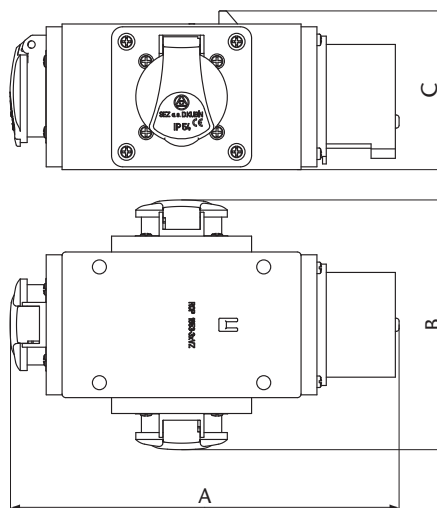


Distribution boxes ROP, VZS



Distribution box ROP IP 44

Range of distribution boxes with the name ROP 1643, ROP 1653, ROP 3243, ROP 3253 and ROP 1653-VZ is with protection IP 44 a boxes contain IRRN 16A or 32A on input. Combinations of outputs are very wide and contain 2 types of 32A (output 3 x IERN 3243) a 5 types of 16A (outputs IERN 1643,(1653), or VZ 16, VZ 16S). Distribution boxes with low voltage can be used in exterior as well as in interior enviroment, in residential buildings and houses, constructions and industrial zones as well.



- degree of protection: **IP 44**
- nominal current: **16 A, 32 A**
- nominal working voltage: **400V~, 250V~, 50Hz**

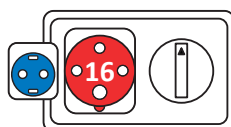
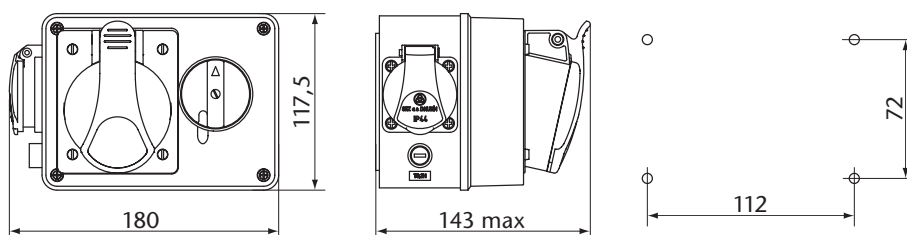
TYPE	INSTALLATION		DIMENSION (mm)		
	INLET	OUTLET	A	B	C
ROP 1643	IRRN 1643	3 x IERN 1643	238	201	90
ROP 1653	IRRN 1653	3 x IERN 1653	240	205	94
ROP 3243	IRRN 3243	3 x IERN 3243	257	221	98
ROP 3253	IRRN 3253	3 x IERN 3253	261	229	105
ROP 1653-VZ/S	IRRN 1653	2 x IERN 1653, 1 x VZ 16S	202	205	94
ROP 1653-2xVZ/S	IRRN 1653	1 x IERN 1653, 2 x VZ 16S	240	130	94
ROP 1653-3xVZ/S	IRRN 1653	3 x VZ 16S	202	130	86

Distribution box VZS

Suitable for the connection of 3-phase as well as 1-phase devices; equipped with a switch to be switched off. 32 A variants – VZS 324 and VZS 325 are supplied with tube fuse 16 A for a protection of 1 phase 230 V/16 A socket.



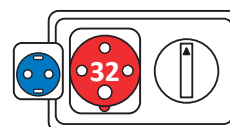
- degree of protection: **IP 44**
- nominal current: **16 A, 32 A**
- nominal working voltage: **400V~, 250V~, 50Hz**



VZS 164/S



VZS 165/S



VZS 324/S



VZS 325/S