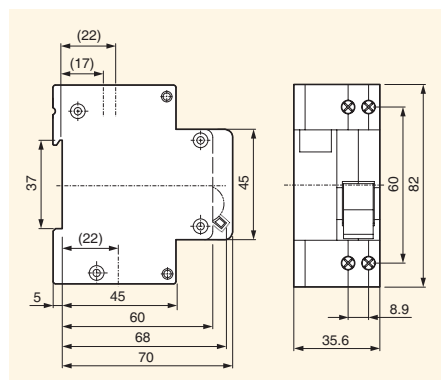


# Residual current circuit breakers

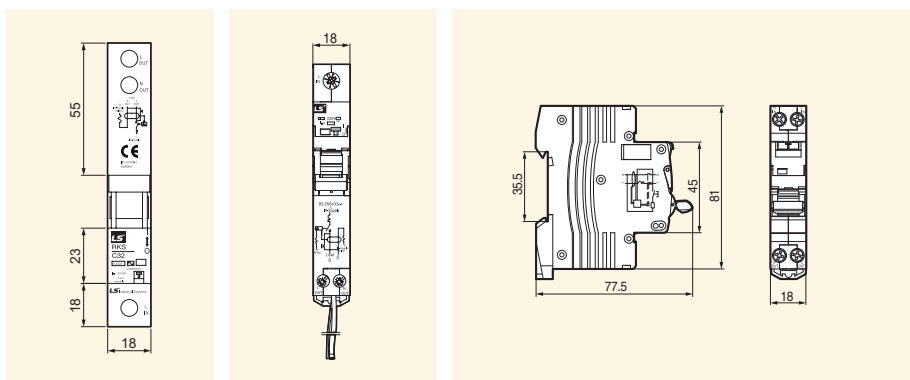
## 2 and 4 pole series up to 63AF

Tipo	RCBO								
	RKP	RKS	RKS-b	RKC	32KGRc	32KGRd	32GRhc	32GRhd	
Protection	Ground fault and overcurrent		Ground fault and overcurrent		Ground fault and overcurrent		Ground fault and overcurrent		
Rated current, I <sub>n</sub>	3 (C, D curve), 6, 10, 16, 20, 25, 32A (B, C, D curve)		6, 10, 16, 20, 25, 32A (40, 50A) (B, C curve)		6, 10, 16, 20, 25, 32A (B, C curve)		15, 20, 30A		
Rated residual current									
Operating, I <sub>Δn</sub>	30, 100, 300mA (non-adjustable)		30, 100mA (non-adjustable)		10, 30mA (non-adjustable)		15, 30mA (non-adjustable)		
Non-operating, I <sub>Δno</sub>	0.5I <sub>Δn</sub>		0.5I <sub>Δn</sub>		0.5I <sub>Δn</sub>		0.5I <sub>Δn</sub>		
Number of poles	1P+N		1P+N		1P+N		2 polo		
Rated voltage	230 VAC		230 VAC   240 VAC		240 VAC		110/220 VAC		
Residual current off-time	≤0.1 sec.		≤0.3 sec.		≤0.01 sec.		≤0.03 sec.		
Standard	IEC 61009		IEC 61009		IEC 61009		IEC 61009, KS		
Approval	CCC, CQC CB, SABS, CE		SEMKO CB, SABS, CE   SEMKO CB, CE		BV CB		CCC		
Type of trip									
Ground fault	Electronic		Electronic		Electronic		Electronic		
Overcurrent	Thermal-magnetic		Thermal-magnetic		Thermal-magnetic		Bimetallic		
Breaking capacity	4.5kA		10kA		6kA (32A 4.5kA)		1.5kA   2.5kA		
Conditional short circuit capacity	-		-		-		-		
Endurance	Electrical	4,000 operations		4,000 operations		4,000 operations		4,000 operations	
	Mechanical	10,000 operations		10,000 operations		10,000 operations		10,000 operations	
Mount	On 35mm DIN rail		On 35mm DIN rail		On 35mm DIN rail		On 35mm DIN rail / Screw		
Width	35.6mm		18mm		18mm		35mm		
Terminal	Lug type (cable up to 10mm <sup>2</sup> )		Lug type (cable up to 10mm <sup>2</sup> )		Lug type (cable up to 10mm <sup>2</sup> )		Screw clamp type (cable up to 5.5mm <sup>2</sup> )		
Type of operation	-		-		A/AC		-		
Dimension	See drawing 1		See drawing 2   See drawing 3		See drawing 4		See drawing 5		
Characteristic curve	See page 7 (curve 1)		See page 7 (curve 1)		-		See page 3		

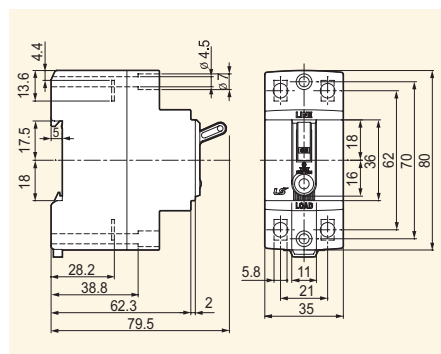
Drawing 1: Type RKP



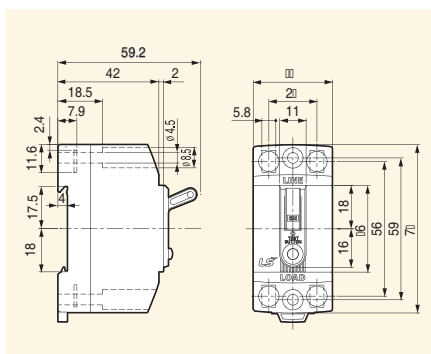
Drawing 2: Type RKS | Drawing 3: Type RKS-b | Drawing 4: Type 32KGRc & 32KGRd



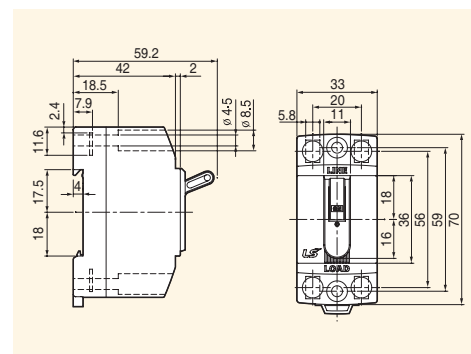
Drawing 5: Type 32GRhc & 32GRhd



Drawing 6: Type BS



Drawing 7: Type RKN



## RKP type



RKP 1P+N

Certificate

CE

### Catalog No.

#### RKP C curve

In	I <sub>Δn</sub>	Model	Catalog No.	Pack. unit (Pcs.)
3A	30mA	RKP-C3-1+N/30mA	06220147R0	60
	100mA	RKP-C3-1+N/100mA	06220148R0	60
	300mA	RKP-C3-1+N/300mA	06220149R0	60
6A	30mA	✓ RKP-C6-1+N/30mA	06220151R0	60
	100mA	RKP-C6-1+N/100mA	06220152R0	60
	300mA	✓ RKP-C6-1+N/300mA	06220153R0	60
10A	30mA	✓ RKP-C10-1+N/30mA	06220155R0	60
	100mA	RKP-C10-1+N/100mA	06220156R0	60
	300mA	✓ RKP-C10-1+N/300mA	06220157R0	60
16A	30mA	✓ RKP-C16-1+N/30mA	06220159R0	60
	100mA	RKP-C16-1+N/100mA	06220160R0	60
	300mA	✓ RKP-C16-1+N/300mA	06220161R0	60
20A	30mA	✓ RKP-C20-1+N/30mA	06220163R0	60
	100mA	RKP-C20-1+N/100mA	06220164R0	60
	300mA	✓ RKP-C20-1+N/300mA	06220165R0	60
25A	30mA	✓ RKP-C25-1+N/30mA	06220167R0	60
	100mA	RKP-C25-1+N/100mA	06220168R0	60
	300mA	✓ RKP-C25-1+N/300mA	06220169R0	60
32A	30mA	✓ RKP-C32-1+N/30mA	06220171R0	60
	100mA	RKP-C32-1+N/100mA	06220172R0	60
	300mA	✓ RKP-C32-1+N/300mA	06220173R0	60

#### RKP D curve

CE

In	I <sub>Δn</sub>	Model	Catalog No.	Pack. unit (Pcs.)
3A	30mA	RKP-D3-1+N/30mA	06220175R0	60
	100mA	RKP-D3-1+N/100mA	06220176R0	60
	300mA	RKP-D3-1+N/300mA	06220177R0	60
6A	30mA	RKP-D6-1+N/30mA	06220179R0	60
	100mA	RKP-D6-1+N/100mA	06220180R0	60
	300mA	RKP-D6-1+N/300mA	06220181R0	60
10A	30mA	RKP-D10-1+N/30mA	06220183R0	60
	100mA	RKP-D10-1+N/100mA	06220184R0	60
	300mA	RKP-D10-1+N/300mA	06220185R0	60
16A	30mA	RKP-D16-1+N/30mA	06220187R0	60
	100mA	RKP-D16-1+N/100mA	06220188R0	60
	300mA	RKP-D16-1+N/300mA	06220189R0	60
20A	30mA	RKP-D20-1+N/30mA	06220191R0	60
	100mA	RKP-D20-1+N/100mA	06220192R0	60
	300mA	RKP-D20-1+N/300mA	06220193R0	60
25A	30mA	RKP-D25-1+N/30mA	06220195R0	60
	100mA	RKP-D25-1+N/100mA	06220196R0	60
	300mA	RKP-D25-1+N/300mA	06220197R0	60
32A	30mA	RKP-D32-1+N/30mA	06220199R0	60
	100mA	RKP-D32-1+N/100mA	06220200R0	60
	300mA	RKP-D32-1+N/300mA	06220201R0	60