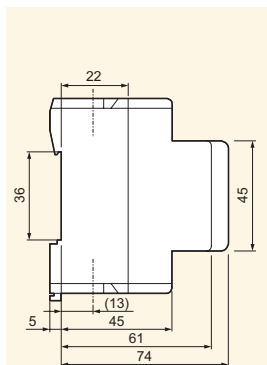




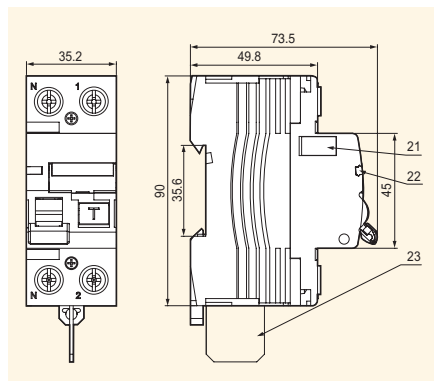
RCCB			
BS32c	BS32d	RKN	RKN-b
Ground fault and overcurrent		Ground fault and overcurrent	
6, 10, 15, 20, 30A	10, 15, 20, 30A	25, 32, 40, 63A	63AF 100AF 25, 40, 63A 80, 100A
15, 30mA (non-adjustable)	30, 100, 300mA (non-adjustable)		
0.5I Δ n	0.5I Δ n		
2 polo	1P+N, 3P+N		
110/220VAC	230VAC(1P+N), 230/415VAC(3P+N)		
≤0.03 sec.	≤0.1 sec.		
IEC 60898, KS	IEC 61008		
CCC	SEMKO CB, CE, NF, SABS, CCC	SEMKO CB, CE, SABS	
Electronic	Electro-magnetic		
Bimetallic	N.A		
1.5kA 2.5kA	-	6kA 10kA	
4,000 operations	4,000 operations		
10,000 operations	10,000 operations		
On 35mm DIN rail / Screw	On 35mm DIN rail		
33mm	-		
Screw clamp type (cable up to 5.5mm ²)	Lug type (cable up to 35mm ²)		
-	A/CA		
See drawing 7	See drawing 8	See drawing 9	
-	-		

Isolator	
Type	BKD
Rated current, In	63, 80, 100, 125A
Number of poles	1p, 2p, 3p, 4p
Rated voltage	230 / 400 VAC
Standard	IEC 60947-3
Certificado	SABS, SEMKO CB
Endurance Electrical	40, 50, 63, 80, 100A 125A
Mechanical	1,500 operations 1,000 operations 10,000 operations
Mount	On 35mm DIN rail
Width	17.8mm per pole
Terminal	Lug type(cable up to 50mm ²)
Dimension	See drawing 10

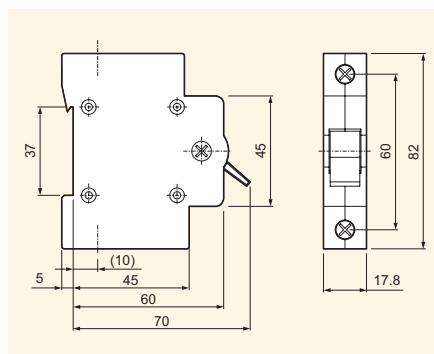
Drawing 8: Type RKN



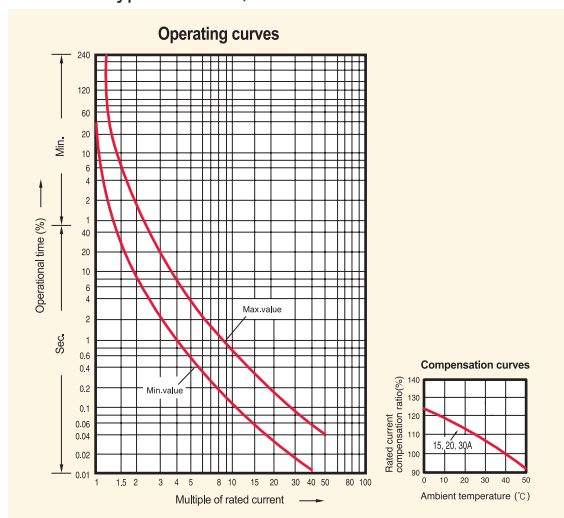
Drawing 9: Type RKN-b



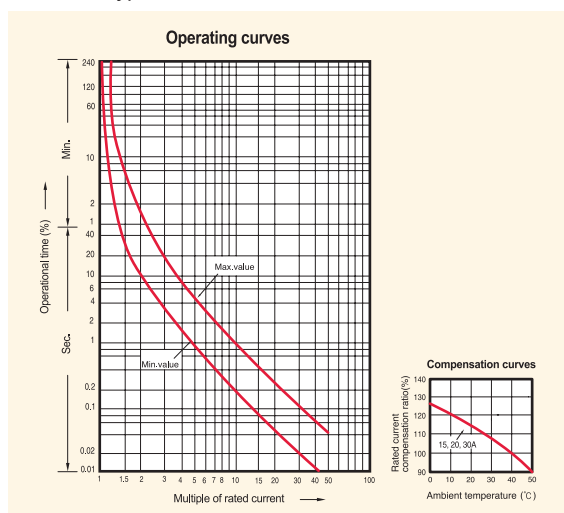
Drawing 10: Type BKD



Curve 3 : Type 32KGRc, 32KGRd



Curve 4 : Type 32GRhc, 32GRhd



Residual current circuit breakers

DIN rail mounting



RKN type



Certificate

CE

Technical data

Standard	Confirming to IEC61008	
Protection	Ground fault	
Rated current, I_n	25, 32, 40, 63A	
Number of poles	2(1+N), 4(3+N)pole	
Rated sensitivity currents, $I_{\Delta n}$	30, 100, 300mA	
Rated residual non-operating current	$0.5 \times I_{\Delta n}$	
Rated voltages	2pole	240VAC
	4pole	240/415VAC
Residual current off-time at $I_{\Delta n}$	$\leq 0.1s$	
Rated making capacity, I_m	500A for $I_n=25, 32, 40A$ 630A for $I_n=63A$	
Rated conditional short-circuit current, I_{nc}	6kA for $I_n=25, 32, 40, 63A$	
Type of trip	Electro-magnetic	
Type of terminal	Lug type	
Terminal capacity	Cables up to 35mm ²	
Installation	35mm DIN rail	
Type of operation	A/AC	
Slot size	45mm	

Catalog No.

Pole	I_n	$I_{\Delta n}$	Model	Catalog No.	Pack.unit (Pcs.)
2P	25A	30mA	RKN -25-2/30mA	06220103R0	60
			RKN -32-2/30mA	06220106R0	60
			RKN -40-2/30mA	06220109R0	60
			RKN -63-2/30mA	06220112R0	60
	32A	100mA	RKN -25-2/100mA	06220104R0	60
			RKN -32-2/100mA	06220107R0	60
			RKN -40-2/100mA	06220110R0	60
			RKN -63-2/100mA	06220113R0	60
	40A	300mA	RKN -25-2/300mA	06220105R0	60
			RKN -32-2/300mA	06220108R0	60
			RKN -40-2/300mA	06220111R0	60
			RKN -63-2/300mA	06220114R0	60

Pole	I_n	$I_{\Delta n}$	Model	Catalog No.	Pack.unit (Pcs.)
4P	25A	30mA	RKN -25-4/30mA	06240013R0	30
			RKN -32-4/30mA	06240016R0	30
			RKN -40-4/30mA	06240019R0	30
			RKN -63-4/30mA	06240022R0	30
	32A	100mA	RKN -25-4/100mA	06240014R0	30
			RKN -32-4/100mA	06240017R0	30
			RKN -40-4/100mA	06240020R0	30
			RKN -63-4/100mA	06240023R0	30
	40A	300mA	RKN -25-4/300mA	06240015R0	30
			RKN -32-4/300mA	06240018R0	30
			RKN -40-4/300mA	06240021R0	30
			RKN -63-4/300mA	06240024R0	30