

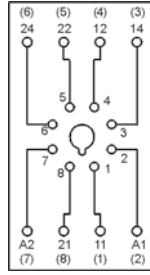
PZ8

For R15 - 2 CO

Screw terminals
 Max. tightening moment
 for the terminal: 0,7 Nm
 35 mm rail mount
 acc. to EN 60715
 or on panel mounting
 68,2 x 38 x 24,2 mm
 Two poles
 10 A, 250 V AC

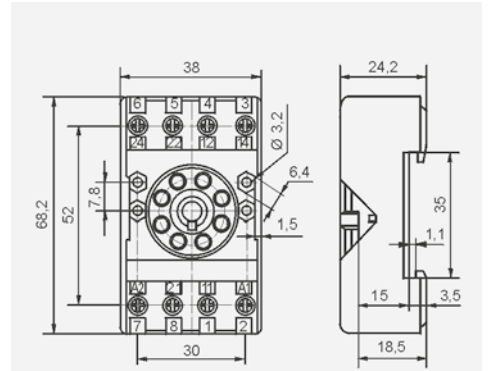


Connection diagram



PZ11 0031

Dimensions



Accessories

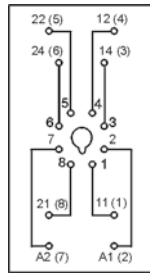
GZU8

For R15 - 2 CO

Screw terminals
 Max. tightening moment
 for the terminal: 0,7 Nm
 35 mm rail mount
 acc. to EN 60715
 82 x 35,5 x 25,7 mm
 Two poles
 10 A, 250 V AC

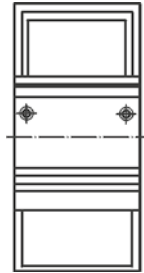


Connection diagram

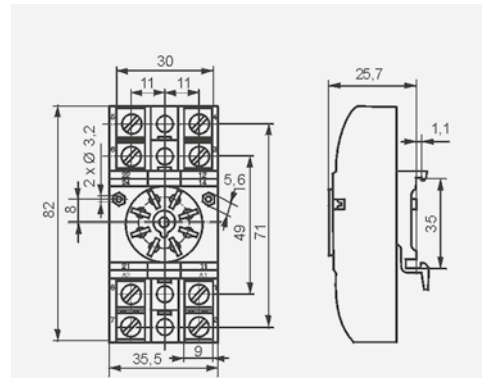


GZU 1052

Adaptor



Dimensions



Accessories

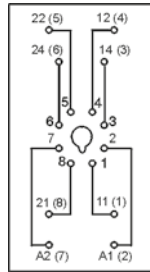
GZ8

For R15 - 2 CO

Screw terminals
 Max. tightening moment
 for the terminal: 0,7 Nm
 On panel mounting
 82,8 x 35,5 x 22,5 mm
 Two poles
 10 A, 250 V AC

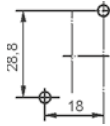


Connection diagram

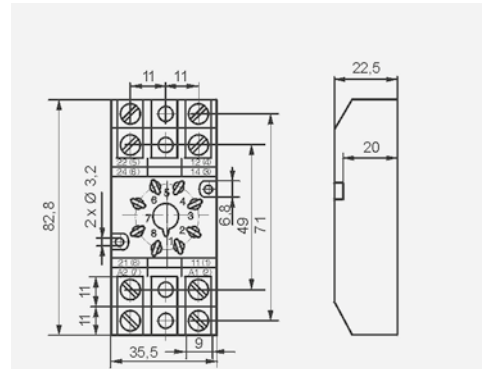


GZ 1050

Mounting dimensions



Dimensions



Accessories

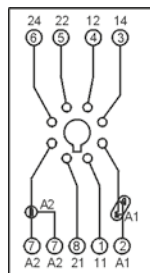
GZP8

For R15 - 2 CO

Screw terminals
 Max. tightening moment
 for the terminal: 0,5 Nm
 35 mm rail mount
 acc. to EN 60715
 or on panel mounting
 73 x 38,2 x 27,2 mm
 Two poles
 12 A, 300 V AC



Connection diagram



GZP-0054

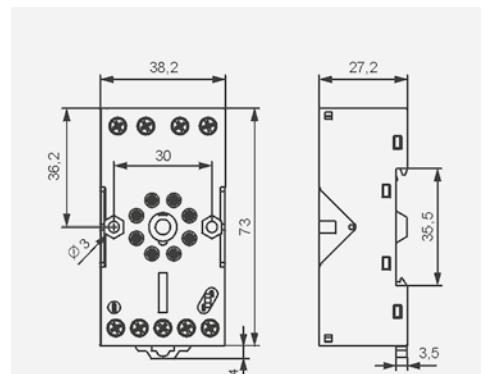


Time module COM3



GZP-0035

Dimensions



Accessories

Ⓢ Have obtained LR Type Approval Certificate (Lloyd's Register).