

GOP8

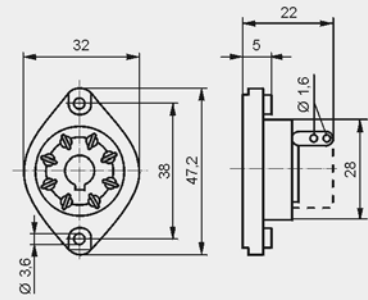
For R15 - 2 CO

Solder terminals
47,2 x 32 x 22 mm
Two poles
10 A, 250 V AC



R159 1051

Dimensions

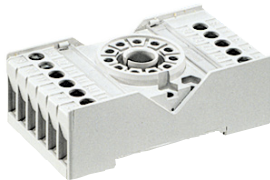


Accessories

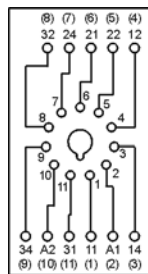
PZ11 ⑥

For R15 - 3 CO

Screw terminals
Max. tightening moment for the terminal: 0,7 Nm
35 mm rail mount acc. to EN 60715 or on panel mounting
68,2 x 38 x 24,2 mm
Three poles
10 A, 250 V AC

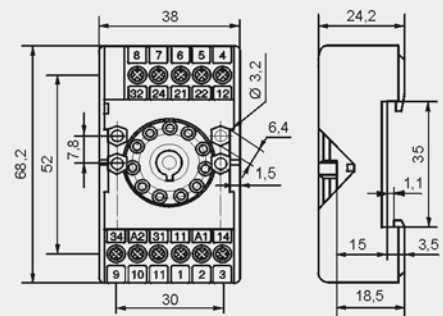


Connection diagram



PZ11 0031

Dimensions



Accessories

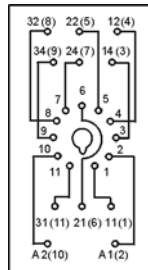
GZU11

For R15 - 3 CO

Screw terminals
Max. tightening moment for the terminal: 0,7 Nm
35 mm rail mount acc. to EN 60715
82 x 35,5 x 25,7 mm
Three poles
10 A, 250 V AC

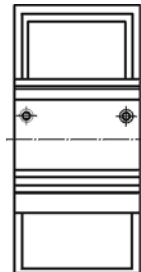


Connection diagram

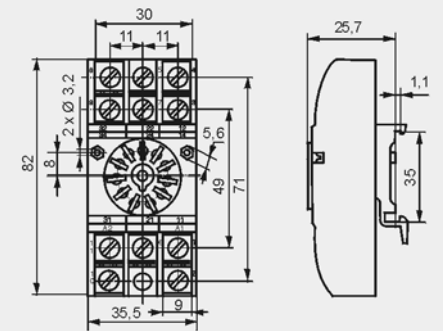


GZU 1052

Adaptor



Dimensions



Accessories

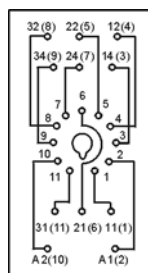
GZ11

For R15 - 3 CO

Screw terminals
Max. tightening moment for the terminal: 0,7 Nm
On panel mounting
82,8 x 35,5 x 22,5 mm
Three poles
10 A, 250 V AC

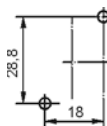


Connection diagram

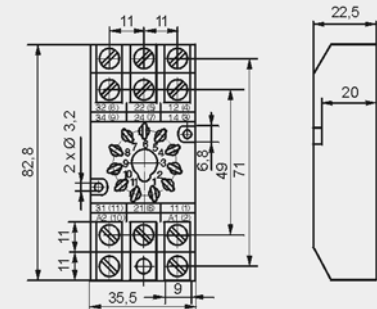


GZ 1050

Mounting dimensions



Dimensions



⑥ Have obtained LR Type Approval Certificate (Lloyd's Register).