







P1625 1/5/-/10
19 22 160 500 SE1615

- length: 5 m
- number of sockets: 6× 2P + PE SCHUKO
- voltage/current: 250 V~/10 A max.
- maximum load: 2 300 W
- type of insulation: PVC
- conductor: H05VV-F3G 1 mm²
- children protection
- packaging: 1 pc, hanging


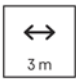


PC1321 1/5/-/35
19 22 330 150 SE1311










- length: 1.5 m
- number of sockets: 3× 2P + PE SCHUKO
- voltage/current: 250 V~/10 A max.
- maximum load: 2 300 W
- type of insulation: PVC
- conductor: H05VV-F3G 1 mm²
- material of the sockets + plugs: plastic
- packaging: 1 pc, hanging

PC1423 1/5/-/20
19 22 340 300 SE1413




- length: 3 m
- number of sockets: 4× 2P + PE SCHUKO
- voltage/current: 250 V~/10 A max.
- maximum load: 2 300 W
- type of insulation: PVC
- conductor: H05VV-F3G 1 mm²
- material of the sockets + plugs: plastic
- packaging: 1 pc, hanging

PC1425 1/5/-/15
19 22 340 500 SE1415





- length: 5 m
- number of sockets: 4× 2P + PE SCHUKO
- voltage/current: 250 V~/10 A max.
- maximum load: 2 300 W
- type of insulation: PVC
- conductor: H05VV-F3G 1 mm²
- material of the sockets + plugs: plastic
- packaging: 1 pc, hanging

PS1721 1/5/10/20
19 22 570 150 GES-002

- length: 1.5 m
- number of sockets: 3× 2P + PE + 4× 2P
- voltage/current: 250 V~/10 A max.
- maximum load: 2 300 W
- type of insulation: PVC
- conductor: H05VV-F3G 1 mm²
- material of the sockets + plugs: plastic
- packaging: 1 pc, hanging

P04219U 1/-/5/15
19 22 040 190 P04219U


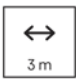







- length: 1.9 m
- number of sockets: 4× 2P + PE SCHUKO
- voltage/current: 250 V~/16 A max.
- maximum load: 3 680 W
- type of insulation: PVC
- conductor: H05VV-F3G 1.0 mm²
- material of the sockets + plugs: PC
- packaging: 1 pc, box

With rubber insulation





- 3 m neoprene extension cable
- conductor cross-section: 1.5 mm², max. load: 3 680 W
- 4 round sockets, child socket covers with lids
- backlit switch with rubber cover
- immune to water (IP44) and extreme temperatures

P14231 1/-/-/10
19 22 140 302 E-K-4E

- length: 3 m
- number of sockets: 4× 2P + PE SCHUKO
- voltage/current: 250 V~/16 A max.
- maximum load: 3 680 W
- type of insulation: rubber/neopren
- conductor: H07RN-F3G 1.5 mm²
- material of the sockets + plugs: plastic /
- packaging: 1 pc, foil

P14251 1/-/-/6
19 22 340 501 E-K-4E

- length: 5 m
- number of sockets: 4× 2P + PE SCHUKO
- voltage/current: 250 V~/16 A max.
- maximum load: 3 680 W
- type of insulation: rubber/neopren
- conductor: H07RN-F3G 1.5 mm²
- material of the sockets + plugs: plastic /
- packaging: 1 pc, foil