









P1323Z 1/5/-/20
19 22 130 303 HE1313 (SE1313)





- length: 3 m
- number of sockets: 3× 2P + PE SCHUKO
- voltage/current: 250 V~/10 A max.
- maximum load: 2 300 W
- type of insulation: PVC
- conductor: H05VV-F3G 1 mm²
- material of the sockets + plugs: plastic /
- packaging: 1 pc, hanging

P1325 1/5/-/15
19 22 130 500 SE1315


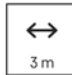
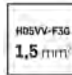

- length: 5 m
- number of sockets: 3× 2P + PE SCHUKO
- voltage/current: 250 V~/10 A max.
- maximum load: 2 300 W
- type of insulation: PVC
- conductor: H05VV-F3G 1 mm²
- material of the sockets + plugs: plastic
- packaging: 1 pc, hanging

P1422 1/5/-/20
19 22 140 200 SE1412





- length: 2 m
- number of sockets: 4× 2P + PE SCHUKO
- voltage/current: 250 V~/10 A max.
- maximum load: 2 300 W
- type of insulation: PVC
- conductor: H05VV-F3G 1 mm²
- material of the sockets + plugs: plastic
- packaging: 1 pc, hanging

P1423 1/5/-/20
19 22 140 300 SE1413





- length: 3 m
- number of sockets: 4× 2P + PE SCHUKO
- voltage/current: 250 V~/10 A max.
- maximum load: 2 300 W
- type of insulation: PVC
- conductor: H05VV-F3G 1 mm²
- material of the sockets + plugs: plastic
- packaging: 1 pc, hanging

P1425 1/5/-/15
19 22 140 500 SE1415





- length: 5 m
- number of sockets: 4× 2P + PE SCHUKO
- voltage/current: 250 V~/10 A max.
- maximum load: 2 300 W
- type of insulation: PVC
- conductor: H05VV-F3G 1 mm²
- material of the sockets + plugs: plastic
- packaging: 1 pc, hanging

P1522 1/5/-/15
19 22 150 200 SE1512


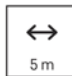


- length: 2 m
- number of sockets: 5× 2P + PE SCHUKO
- voltage/current: 250 V~/10 A max.
- maximum load: 2 300 W
- type of insulation: PVC
- conductor: H05VV-F3G 1 mm²
- material of the sockets + plugs: plastic
- packaging: 1 pc, hanging

P1523 1/5/-/15
19 22 150 300 SE1513





- length: 3 m
- number of sockets: 5× 2P + PE SCHUKO
- voltage/current: 250 V~/10 A max.
- maximum load: 2 300 W
- type of insulation: PVC
- conductor: H05VV-F3G 1 mm²
- children protection
- packaging: 1 pc, hanging

P1525 1/5/-/15
19 22 150 500 SE1515





- length: 5 m
- number of sockets: 5× 2P + PE SCHUKO
- voltage/current: 250 V~/10 A max.
- maximum load: 2 300 W
- type of insulation: PVC
- conductor: H05VV-F3G 1 mm²
- children protection
- packaging: 1 pc, hanging

P1622 1/5/-/10
19 22 160 200 SE1612

- length: 2 m
- number of sockets: 6× 2P + PE SCHUKO
- voltage/current: 250 V~/10 A max.
- maximum load: 2 300 W
- type of insulation: PVC
- conductor: H05VV-F3G 1 mm²
- children protection
- packaging: 1 pc, hanging

P1623 1/5/-/10
19 22 160 300 SE1613

- length: 3 m
- number of sockets: 6× 2P + PE SCHUKO
- voltage/current: 250 V~/10 A max.
- maximum load: 2 300 W
- type of insulation: PVC
- conductor: H05VV-F3G 1 mm²
- children protection
- packaging: 1 pc, hanging