


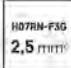



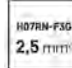


P01810R	1/-/-/6	
19 21 011 003	E-008	
	 10 m	
<ul style="list-style-type: none"> ▪ length: 10 m ▪ number of sockets: 1× 2P + PE, IP44 SC ▪ voltage/current: 250 V~/16 A max. ▪ maximum load: 3 680 W ▪ type of insulation: rubber/neopren ▪ conductor: H07RN-F3G 2,5 mm² <ul style="list-style-type: none"> ▪ material of the sockets + plugs: plastic / ▪ packaging: 1 pc, foil 		

P01825R	1/-/-/4	
19 21 012 502	E-008	
	 25 m	
<ul style="list-style-type: none"> ▪ length: 25 m ▪ number of sockets: 1× 2P + PE, IP44 SC ▪ voltage/current: 250 V~/16 A max. ▪ maximum load: 3 680 W ▪ type of insulation: rubber/neopren ▪ conductor: H07RN-F3G 2,5 mm² <ul style="list-style-type: none"> ▪ material of the sockets + plugs: plastic / ▪ packaging: 1 pc, foil 		

P0701	1/-/-/6	
19 21 021 000	E-012	
	 10 m	
<ul style="list-style-type: none"> ▪ length: 10 m ▪ number of sockets: 2× 2P + PE, IP44 SC ▪ voltage/current: 250 V~/16 A max. ▪ maximum load: 3 680 W ▪ type of insulation: rubber ▪ conductor: H05RR-F3G 1,5 mm² <ul style="list-style-type: none"> ▪ material of the sockets + plugs: plastic / ▪ packaging: 1 pc, PP (PE) packet 		



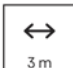
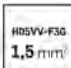
P0702	1/-/-/4	
19 21 021 502	E-012	
	 15 m	
<ul style="list-style-type: none"> ▪ length: 15 m ▪ number of sockets: 2× 2P + PE, IP44 SC ▪ voltage/current: 250 V~/16 A max. ▪ maximum load: 3 680 W ▪ type of insulation: rubber ▪ conductor: H05RR-F3G 1,5 mm² <ul style="list-style-type: none"> ▪ material of the sockets + plugs: plastic / ▪ packaging: 1 pc, PP (PE) packet 		



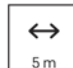
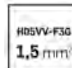
P0703	1/-/-/3	
19 21 022 000	E-012	
	 20 m	
<ul style="list-style-type: none"> ▪ length: 20 m ▪ number of sockets: 2× 2P + PE, IP44 SC ▪ voltage/current: 250 V~/16 A max. ▪ maximum load: 3 680 W ▪ type of insulation: rubber ▪ conductor: H05RR-F3G 1,5 mm² <ul style="list-style-type: none"> ▪ material of the sockets + plugs: plastic / ▪ packaging: 1 pc, PP (PE) packet 		

P0704	1/-/-/2	
19 21 022 502	E-012	
	 25 m	
<ul style="list-style-type: none"> ▪ length: 25 m ▪ number of sockets: 2× 2P + PE, IP44 SC ▪ voltage/current: 250 V~/16 A max. ▪ maximum load: 3 680 W ▪ type of insulation: rubber ▪ conductor: H05RR-F3G 1,5 mm² <ul style="list-style-type: none"> ▪ material of the sockets + plugs: plastic / ▪ packaging: 1 pc, PP (PE) packet 		

1.5 mm² with PVC insulation

- 15–40 m extension cable with one socket
- conductor cross-section: 1.5 m², max. load: 3 680 W
- PVC insulation – ideal for the garage or workshop
- orange reflective colour – always visible to avoid tripping
- round socket, child socket covers

P0123R	1/5/-/25	
19 21 010 302	SE0113-1,5	
	 3 m	
<ul style="list-style-type: none"> ▪ length: 3 m ▪ number of sockets: 1× 2P + PE SCHUKO ▪ voltage/current: 250 V~/16 A max. ▪ maximum load: 3 680 W ▪ type of insulation: PVC ▪ conductor: H05VV-F3G 1,5 mm² <ul style="list-style-type: none"> ▪ material of the sockets + plugs: plastic ▪ packaging: 1 pc, hanging 		

P0125R	1/5/-/20	
19 21 010 503	SE0115-1,5	
	 5 m	
<ul style="list-style-type: none"> ▪ length: 5 m ▪ number of sockets: 1× 2P + PE SCHUKO ▪ voltage/current: 250 V~/16 A max. ▪ maximum load: 3 680 W ▪ type of insulation: PVC ▪ conductor: H05VV-F3G 1,5 mm² <ul style="list-style-type: none"> ▪ material of the sockets + plugs: plastic ▪ packaging: 1 pc, hanging 		