

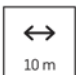




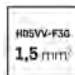
















P0120R	1/5/-/10	
19 21 011 002	SE0110-1,5	
		
<ul style="list-style-type: none"> ▪ length: 10 m ▪ number of sockets: 1× 2P + PE SCHUKO ▪ voltage/current: 250 V~/16 A max. ▪ maximum load: 3 680 W ▪ type of insulation: PVC ▪ conductor: H05VV-F3G 1.5 mm² <ul style="list-style-type: none"> ▪ material of the sockets + plugs: plastic ▪ packaging: 1 pc, hanging 		

P01215R	1/-/-/6	
19 21 011 502	DG-YD01 (YC-DAX-2)	
		
<ul style="list-style-type: none"> ▪ length: 15 m ▪ number of sockets: 1× 2P + PE SCHUKO ▪ voltage/current: 250 V~/16 A max. ▪ maximum load: 3 680 W ▪ type of insulation: PVC ▪ conductor: H05VV-F3G 1.5 mm² <ul style="list-style-type: none"> ▪ material of the sockets + plugs: plastic ▪ packaging: 1 pc, foil 		




P01220R	1/-/-/6	
19 21 012 001	DG-YD01 (YC-DAX-2)	
		
<ul style="list-style-type: none"> ▪ length: 20 m ▪ number of sockets: 1× 2P + PE SCHUKO ▪ voltage/current: 250 V~/16 A max. ▪ maximum load: 3 680 W ▪ type of insulation: PVC ▪ conductor: H05VV-F3G 1.5 mm² <ul style="list-style-type: none"> ▪ material of the sockets + plugs: plastic ▪ packaging: 1 pc, foil 		

P01225R	1/-/-/4	
19 21 012 500	DG-YD01 (YC-DAX-2)	
		
<ul style="list-style-type: none"> ▪ length: 25 m ▪ number of sockets: 1× 2P + PE SCHUKO ▪ voltage/current: 250 V~/16 A max. ▪ maximum load: 3 680 W ▪ type of insulation: PVC ▪ conductor: H05VV-F3G 1.5 mm² <ul style="list-style-type: none"> ▪ material of the sockets + plugs: plastic ▪ packaging: 1 pc, foil 		

P01240R	1/-/-/4	
19 21 014 002	DG-YD01 (YC-DAX-2)	
		
<ul style="list-style-type: none"> ▪ length: 40 m ▪ number of sockets: 1× 2P + PE SCHUKO ▪ voltage/current: 250 V~/16 A max. ▪ maximum load: 3 680 W ▪ type of insulation: PVC ▪ conductor: H05VV-F3G 1.5 mm² <ul style="list-style-type: none"> ▪ material of the sockets + plugs: plastic ▪ packaging: 1 pc, foil 		

1.0 mm² with PVC insulation

- extension cable with one socket, length: 3–40 m
- PVC insulation – ideal for the interior
- conductor: 1 mm², round socket, child socket covers
- in white, dark green or orange colour

P0123	1/5/-/25	
19 21 010 300	SE0113	
		
<ul style="list-style-type: none"> ▪ length: 3 m ▪ number of sockets: 1× 2P + PE SCHUKO ▪ voltage/current: 250 V~/10 A max. ▪ maximum load: 2 300 W ▪ type of insulation: PVC ▪ conductor: H05VV-F3G 1 mm² <ul style="list-style-type: none"> ▪ material of the sockets + plugs: plastic ▪ packaging: 1 pc, hanging 		

P0125	1/5/-/20	
19 21 010 500	SE0115	
		
<ul style="list-style-type: none"> ▪ length: 5 m ▪ number of sockets: 3× 2P + PE SCHUKO ▪ voltage/current: 250 V~/10 A max. ▪ maximum load: 2 300 W ▪ type of insulation: PVC ▪ conductor: H05VV-F3G 1 mm² <ul style="list-style-type: none"> ▪ material of the sockets + plugs: plastic ▪ packaging: 1 pc, hanging 		