

Series
VENTS OV



Series
VENTS OVK



Series
VENTS VKF



Low pressure axial fans in the steel casing with the air flow up to **25000 m³/h** for wall and duct mounting

■ **Applications**

Combined supply and exhaust ventilation systems for various premises where high air flow at relatively low system resistance is required. OV and OVK fans can be used for the direct air exhaust or pressurization in smoke ventilation systems. OV and OVK fan are suitable for outdoor wall mounting.

■ **Design**

The fan casing and the impeller are made of steel with polymeric coating. OV and OVK fan terminal box is equipped with a cable for remote connection. VKF fan is fitted with the external terminal box mounted on the fan casing.

■ **Motor**

The impellers are powered by two-, four- or six-pole, single or three phase asynchronous motors with external rotor and built-in thermal overheating protection depending on the model. Ball bearings in the motor provide long service life designed for at least 40000 hours. Motor protection rating IP44-IP54.

■ **Speed control**

Both smooth or step speed control is performed by means of the thyristor or autotransformer controller. Several fans can be connected to one controller if the total power and operating current do not exceed the rated controller values.

■ **Mounting**

Fan is installed on the wall surface by means of a square (OV series) or round (OVK series) mounting plate. VKF fan is installed into the duct by means of connecting flanges. The fan is powered through the external remote terminal box. Power supply and installation shall be performed in compliance with the manual and wiring diagram on the terminal box.

Designation key

| Series and modification | Motor modification | | Dimension type |
|---|--------------------|---|--|
| | Number of poles | Phase | |
| VENTS OV: square mounting plate | 2 4 6 | E: single phase D: three phase | 200; 250; 300; 350; 400; 450; 500; 550; 630, 710, 800 |
| VENTS OVK: round mounting plate | | | |
| VENTS VKF: mounting into a vent duct | | | |

| ErP data | |
|----------------------|---------------------|
| Overall efficiency | η [%] |
| Measurement category | MC |
| Efficiency category | EC |
| Efficiency grade | N |
| Variable speed drive | VSD |
| Power | kW |
| Current | A |
| Air flow | m ³ /h |
| Static pressure | Pa |
| Speed | n/min ⁻¹ |
| Specific ratio | SR |

Accessories



Flexible connector



Speed controllers

Technical data

| | OV/OVK/VKF 2E 200 | | OV/OVK/VKF 2E 250 | | OV/OVK/VKF 4E 250 | | OV/OVK/VKF 2E 300 | |
|----------------------------------|----------------------|-----------|----------------------|-----------|----------------------|-----------|----------------------|-----------|
| Voltage [V] | 1~230 | | 1~230 | | 1~230 | | 1~230 | |
| Frequency [Hz] | 50 | 60 | 50 | 60 | 50 | 60 | 50 | 60 |
| Power [W] | 55 | 61 | 80 | 91 | 50 | 56 | 145 | 178 |
| Current [A] | 0.26 | 0.28 | 0.4 | 0.42 | 0.22 | 0.24 | 0.66 | 0.79 |
| Max. air flow [m³/h] | 860 | 875 | 1050 | 1150 | 800 | 865 | 2230 | 2280 |
| RPM [min ⁻¹] | 2300 | 2550 | 2400 | 2990 | 1380 | 1730 | 2300 | 2410 |
| Noise level at 3 m [dBA] | 48 | 49 | 50 | 51 | 38 | 39 | 53 | 54 |
| Transported air temperature [°C] | -30...+60 | -30...+50 | -30...+60 | -30...+50 | -30...+60 | -30...+50 | -30...+60 | -30...+50 |
| Protection rating | IP24 VKF IPX4 | | IP24 VKF IPX4 | | IP24 VKF IPX4 | | IP24 VKF IPX4 | |

| | OV/OVK/VKF 4E 300 | | OV/OVK/VKF 4E 350 | | OV/OVK/VKF 4E 400 | | OV/OVK/VKF 4E 450 | |
|----------------------------------|----------------------|-----------|----------------------|-----------|----------------------|-----------|----------------------|-----------|
| Voltage [V] | 1~230 | | 1~230 | | 1~230 | | 1~230 | |
| Frequency [Hz] | 50 | 60 | 50 | 60 | 50 | 60 | 50 | 60 |
| Power [W] | 75 | 92 | 140 | 147 | 180 | 240 | 250 | 325 |
| Current [A] | 0.35 | 0.4 | 0.65 | 0.66 | 0.82 | 1.08 | 1.2 | 1.46 |
| Max. air flow [m³/h] | 1340 | 1475 | 2500 | 2650 | 3580 | 3890 | 4680 | 4790 |
| RPM [min ⁻¹] | 1350 | 1405 | 1380 | 1700 | 1380 | 1655 | 1350 | 1600 |
| Noise level at 3 m [dBA] | 44 | 45 | 46 | 47 | 53 | 54 | 56 | 57 |
| Transported air temperature [°C] | -30...+60 | -30...+50 | -30...+60 | -30...+50 | -30...+60 | -30...+50 | -30...+60 | -30...+50 |
| Protection rating | IP24 VKF IPX4 | | IP24 VKF IPX4 | | IP24 VKF IPX4 | | IP24 VKF IPX4 | |

| | OV/OVK/VKF 4E 500 | | OV/OVK/VKF 4E 550 | | OV/OVK/VKF 4E 630 | | OV/OVK/VKF 2D 250 | |
|----------------------------------|----------------------|-----------|----------------------|-----------|----------------------|-----------|----------------------|-----------|
| Voltage [V] | 1~230 | | 1~230 | | 1~230 | | 3~400 | |
| Frequency [Hz] | 50 | 60 | 50 | 60 | 50 | 60 | 50 | 60 |
| Power [W] | 420 | 455 | 550 | 654 | 750 | 979 | 80 | 92 |
| Current [A] | 1.95 | 2.05 | 2.55 | 2.88 | 3.5 | 4.26 | 0.22 | 0.24 |
| Max. air flow [m³/h] | 7060 | 7130 | 8800 | 8970 | 11900 | 12100 | 1060 | 1150 |
| RPM [min ⁻¹] | 1300 | 1630 | 1300 | 1580 | 1360 | 1625 | 2600 | 3030 |
| Noise level at 3 m [dBA] | 58 | 59 | 62 | 63 | 67 | 68 | 51 | 52 |
| Transported air temperature [°C] | -30...+60 | -30...+50 | -30...+60 | -30...+50 | -30...+60 | -30...+50 | -30...+60 | -30...+50 |
| Protection rating | IP24 VKF IPX4 | | IP24 VKF IPX4 | | IP24 VKF IPX4 | | IP24 VKF IPX4 | |

| | OV/OVK/VKF 4D 250 | | OV/OVK/VKF 2D 300 | | OV/OVK/VKF 4D 300 | | OV/OVK/VKF 4D 350 | |
|----------------------------------|----------------------|-----------|----------------------|-----------|----------------------|-----------|----------------------|-----------|
| Voltage [V] | 3~400 | | 3~400 | | 3~400 | | 3~400 | |
| Frequency [Hz] | 50 | 60 | 50 | 60 | 50 | 60 | 50 | 60 |
| Power [W] | 60 | 89 | 145 | 165 | 75 | 94 | 140 | 150 |
| Current [A] | 0.17 | 0.22 | 0.25 | 0.29 | 0.22 | 0.25 | 0.38 | 0.46 |
| Max. air flow [m³/h] | 850 | 885 | 2310 | 2390 | 1310 | 1530 | 2350 | 2660 |
| RPM [min ⁻¹] | 1400 | 1750 | 2350 | 2570 | 1380 | 1640 | 1419 | 1638 |
| Noise level at 3 m [dBA] | 38 | 38 | 52 | 52 | 45 | 45 | 46 | 46 |
| Transported air temperature [°C] | -30...+60 | -30...+50 | -30...+60 | -30...+50 | -30...+60 | -30...+50 | -30...+60 | -30...+50 |
| Protection rating | IP24 VKF IPX4 | | IP24 VKF IPX4 | | IP24 VKF IPX4 | | IP24 VKF IPX4 | |

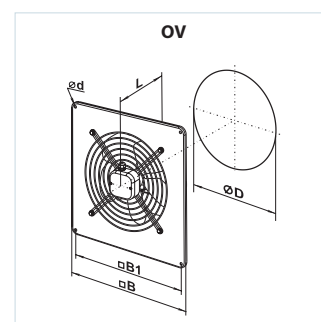
Technical data

| | OV/OVK/VKF 4D 400 | | OV/OVK/VKF 4D 450 | | OV/OVK/VKF 4D 500 | | OV/OVK/VKF 4D 550 | |
|----------------------------------|----------------------|-----------|----------------------|-----------|----------------------|-----------|----------------------|-----------|
| Voltage [V] | 3~400 | | 3~400 | | 3~400 | | 3~400 | |
| Frequency [Hz] | 50 | 60 | 50 | 60 | 50 | 60 | 50 | 60 |
| Power [W] | 180 | 195 | 250 | 275 | 450 | 370 | 750 | 600 |
| Current [A] | 0.47 | 0.55 | 0.6 | 0.65 | 0.9 | 0.7 | 1.5 | 1.1 |
| Max. air flow [m³/h] | 3740 | 3870 | 5280 | 5350 | 6570 | 6230 | 9700 | 7380 |
| RPM [min ⁻¹] | 1380 | 1625 | 1360 | 1620 | 1300 | 1605 | 1350 | 1605 |
| Noise level at 3 m [dBA] | 54 | 54 | 56 | 56 | 60 | 60 | 64 | 64 |
| Transported air temperature [°C] | -30...+60 | -30...+50 | -30...+60 | -30...+50 | -30...+60 | -30...+50 | -30...+60 | -30...+50 |
| Protection rating | IP24 VKF IPX4 | | IP24 VKF IPX4 | | IP24 VKF IPX4 | | IP24 VKF IPX4 | |

| | OV/OVK/VKF 4D 630 | | OV/OVK/ VKF 6D 710 | OV/OVK/ VKF 6D 800 |
|----------------------------------|----------------------|-----------|--------------------------|--------------------------|
| Voltage [V] | 3~400 | | 3~400 | 3~400 |
| Frequency [Hz] | 50 | 60 | 50 | 50 |
| Power [W] | 800 | 910 | 1150 | 1850 |
| Current [A] | 1.6 | 1.68 | 2.0 | 3.7 |
| Max. air flow [m³/h] | 12200 | 12400 | 15440 | 25000 |
| RPM [min ⁻¹] | 1320 | 1585 | 830 | 915 |
| Noise level at 3 m [dBA] | 69 | 69 | 63 | 67 |
| Transported air temperature [°C] | -30...+60 | -30...+50 | -30...+60 | -30...+60 |
| Protection rating | IP24 VKF IPX4 | | IP24 VKF IPX4 | IP24 VKF IPX4 |

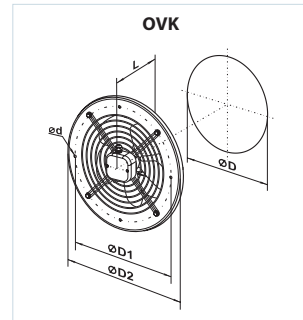
Fan overall dimensions

| Type | Dimensions [mm] | | | | | Mass [kg] |
|---------------------|-----------------|----|-----|-----|-----|-----------|
| | ∅D | ∅d | B | B1 | L | |
| OV 2E 200 | 210 | 7 | 312 | 260 | 125 | 3.0 |
| OV 2E 250/OV 2D 250 | 260 | 7 | 370 | 320 | 135 | 4.0 |
| OV 4E 250/OV 4D 250 | 260 | 7 | 370 | 320 | 135 | 3.5 |
| OV 2E 300/OV 4D 300 | 317 | 9 | 430 | 380 | 145 | 6.1/5.4 |
| OV 4E 300/OV 4D 300 | 317 | 9 | 430 | 380 | 145 | 5.0/5.4 |
| OV 4E 350/OV 4D 350 | 374 | 9 | 485 | 435 | 165 | 7.8 |
| OV 4E 400/OV 4D 400 | 416 | 9 | 540 | 490 | 220 | 8.8 |
| OV 4E 450/OV 4D 450 | 465 | 11 | 576 | 535 | 230 | 10.5 |
| OV 4E 500/OV 4D 500 | 520 | 11 | 655 | 615 | 250 | 14.0 |
| OV 4E 550/OV 4D 550 | 570 | 11 | 725 | 675 | 260 | 16.5 |
| OV 4E 630/OV 4D 630 | 650 | 11 | 800 | 710 | 275 | 20.0 |
| OV 6D 710 | 725 | 13 | 900 | 810 | 350 | 33.0 |
| OV 6D 800 | 800 | 13 | 970 | 910 | 350 | 44.0 |

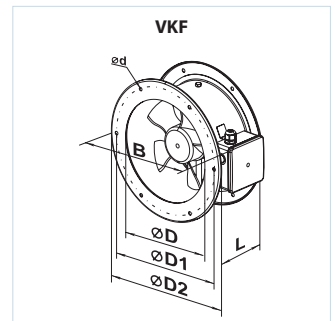


Fan overall dimensions

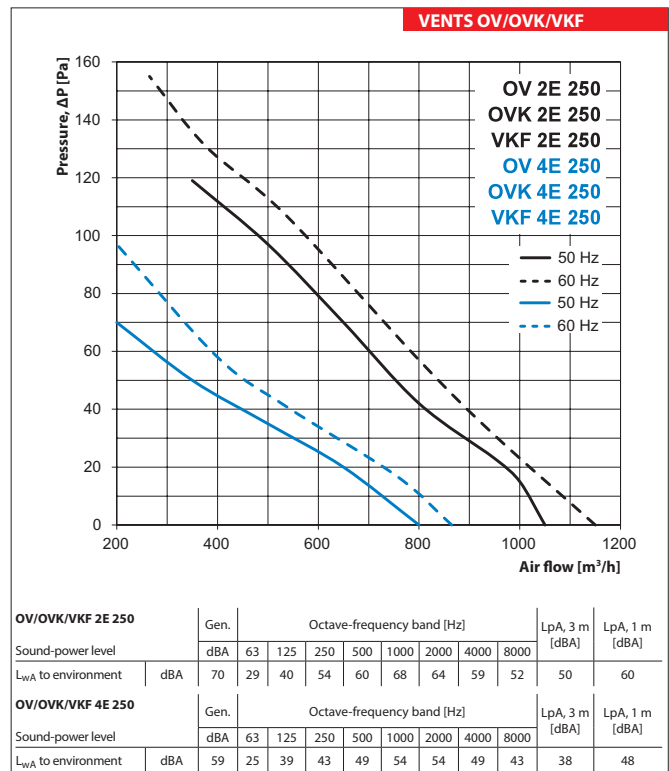
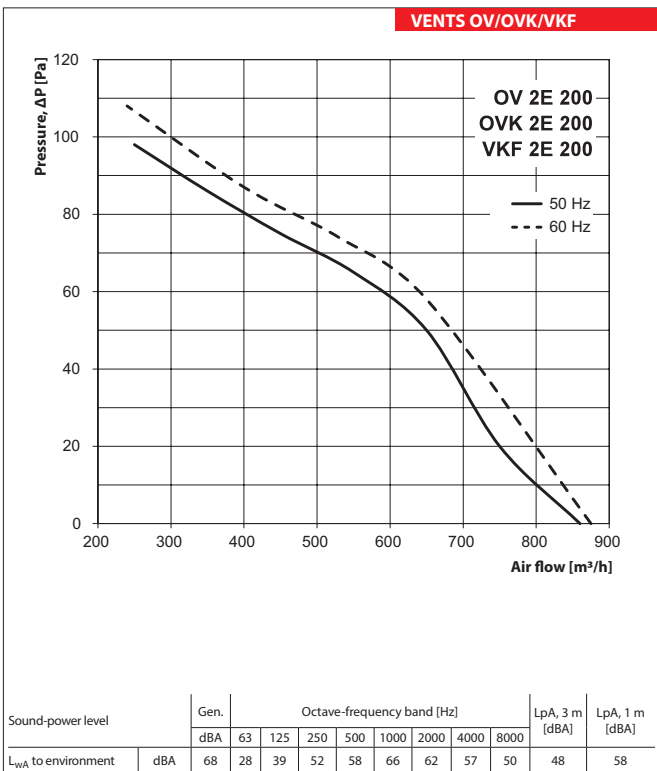
| Type | Dimensions [mm] | | | | | Mass [kg] |
|-----------------------|-----------------|-----|-----|----|-----|-----------|
| | ØD | ØD1 | ØD2 | Ød | L | |
| OVK 2E 200 | 210 | 250 | 280 | 7 | 125 | 2.8 |
| OVK 2E 250/OVK 2D 250 | 260 | 295 | 340 | 7 | 135 | 3.8 |
| OVK 4E 250/OVK 4D 250 | 260 | 295 | 340 | 7 | 135 | 3.4 |
| OVK 2E 300/OVK 2D 300 | 317 | 380 | 397 | 9 | 145 | 5.9/5.1 |
| OVK 4E 300/OVK 4D 300 | 317 | 380 | 397 | 9 | 145 | 5.0/5.1 |
| OVK 4E 350/OVK 4D 350 | 374 | 442 | 460 | 9 | 165 | 7.5 |
| OVK 4E 400/OVK 4D 400 | 417 | 504 | 528 | 9 | 220 | 8.5 |
| OVK 4E 450/OVK 4D 450 | 465 | 578 | 607 | 11 | 230 | 10.0 |
| OVK 4E 500/OVK 4D 500 | 520 | 590 | 655 | 11 | 250 | 14.0 |
| OVK 4E 550/OVK 4D 550 | 570 | 645 | 710 | 11 | 260 | 16.5 |
| OVK 4E 630/OVK 4D 630 | 650 | 760 | 800 | 11 | 275 | 20.0 |
| OVK 6D 710 | 725 | 820 | 890 | 13 | 350 | 31.0 |
| OVK 6D 800 | 800 | 900 | 970 | 13 | 350 | 42.0 |

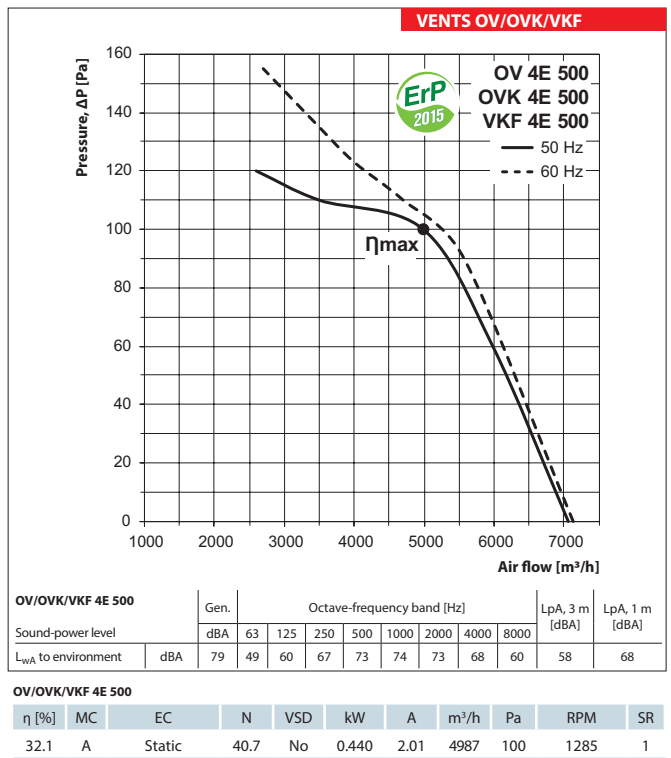
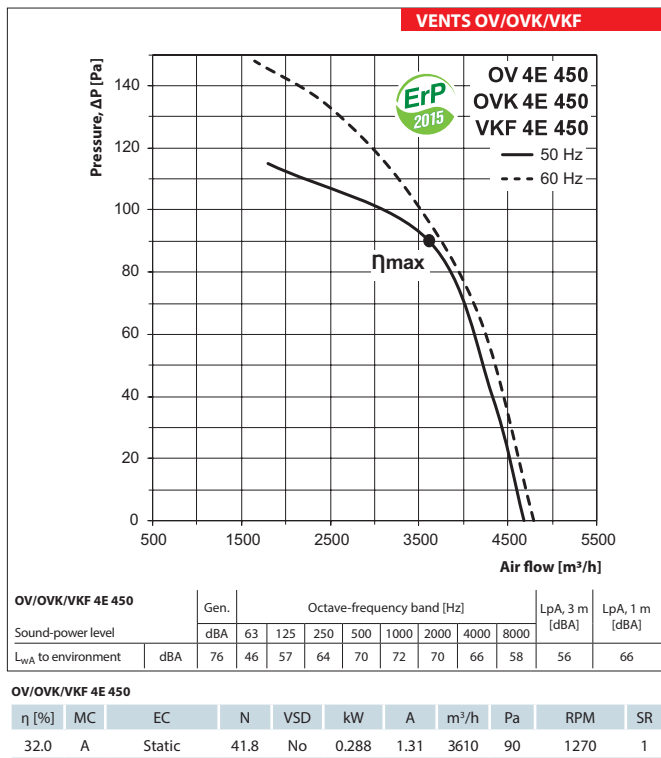
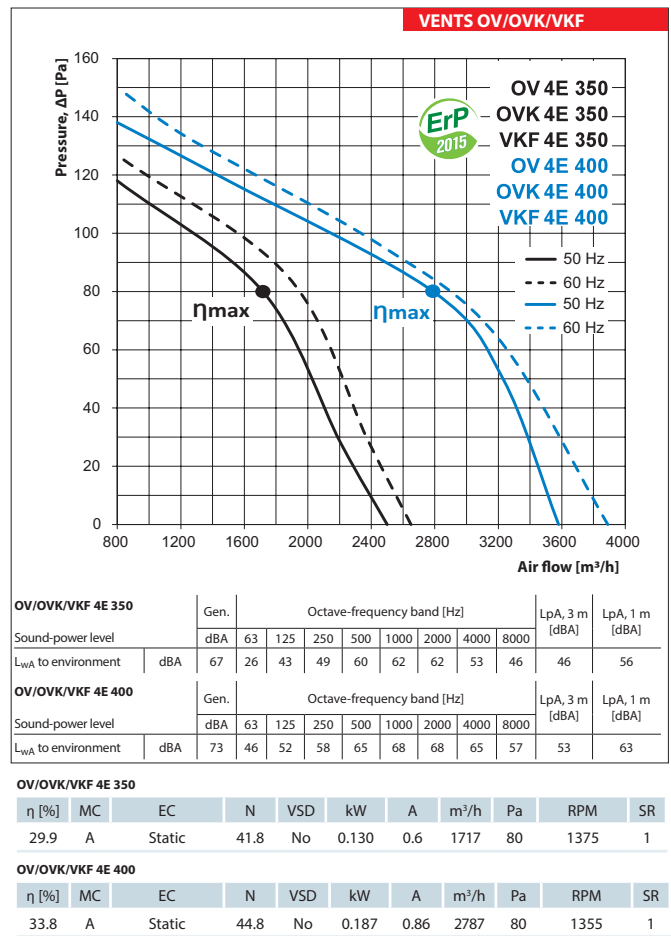
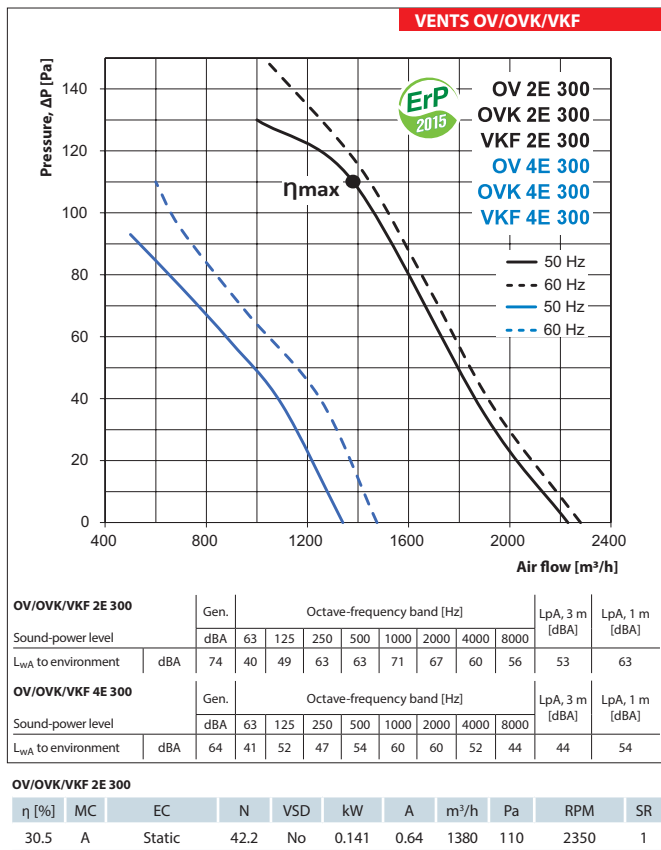


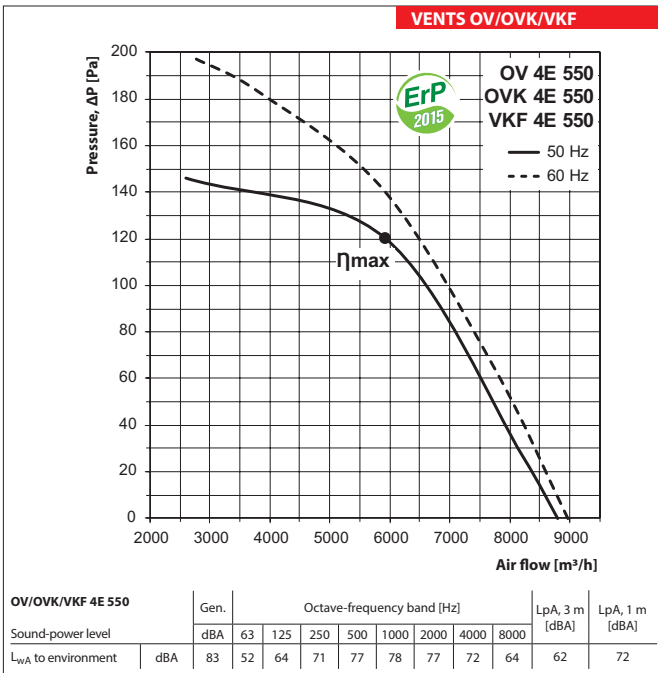
| Type | Dimensions [mm] | | | | | | Mass [kg] |
|-----------------------|-----------------|-----|-----|------|-----|-----|-----------|
| | ØD | ØD1 | ØD2 | Ød | B | L | |
| VKF 2E 200 | 205 | 235 | 255 | 7 | 290 | 120 | 3.0 |
| VKF 2E 250/VKF 2D 250 | 260 | 286 | 306 | 7 | 340 | 150 | 3.9 |
| VKF 4E 250/VKF 4D 250 | 260 | 286 | 306 | 7 | 340 | 150 | 4.0 |
| VKF 2E 300/VKF 2D 300 | 310 | 356 | 382 | 7 | 410 | 160 | 6.2/5.7 |
| VKF 4E 300/VKF 4D 300 | 310 | 356 | 382 | 7 | 410 | 160 | 6.2 |
| VKF 4E 350/VKF 4D 350 | 362 | 395 | 421 | 9.5 | 450 | 160 | 7.7 |
| VKF 4E 400/VKF 4D 400 | 412 | 438 | 465 | 9.5 | 500 | 170 | 8.1 |
| VKF 4E 450/VKF 4D 450 | 462 | 487 | 515 | 9.5 | 550 | 200 | 9.1 |
| VKF 4E 500/VKF 4D 500 | 515 | 541 | 570 | 9.5 | 600 | 220 | 11.0 |
| VKF 4E 550/VKF 4D 550 | 565 | 605 | 636 | 11.5 | 660 | 230 | 13.9 |
| VKF 4E 630/VKF 4D 630 | 645 | 674 | 715 | 11.5 | 740 | 250 | 16.4 |
| VKF 6D 710 | 725 | 767 | 805 | 11.5 | 835 | 250 | 30.0 |
| VKF 6D 800 | 800 | 845 | 880 | 11.5 | 910 | 280 | 40.0 |



VENTS OV
 VENTS OVK
 VENTS VKF
 FAN SERIES

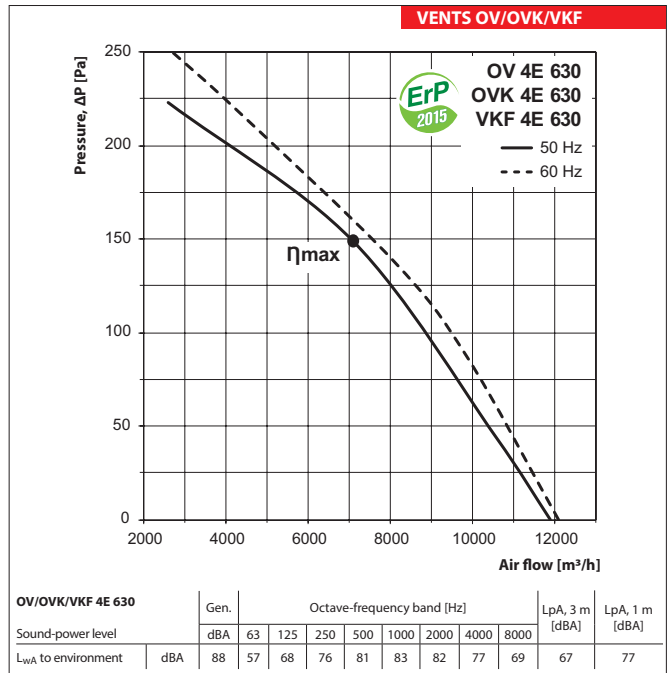






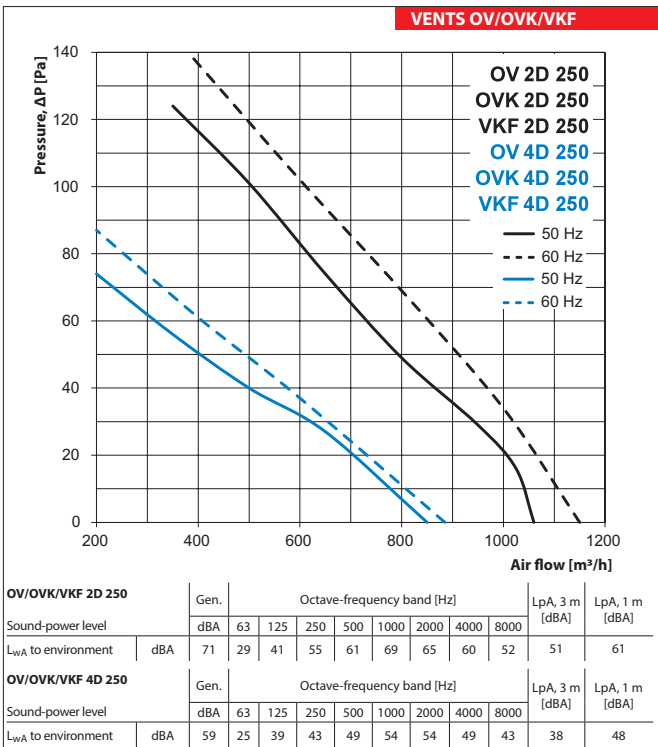
OV/OVK/VKF 4E 550

| η [%] | MC | EC | N | VSD | kW | A | m³/h | Pa | RPM | SR |
|-------|----|--------|------|-----|-------|------|------|-----|------|----|
| 34.7 | A | Static | 42.6 | No | 0.581 | 2.64 | 5919 | 120 | 1240 | 1 |



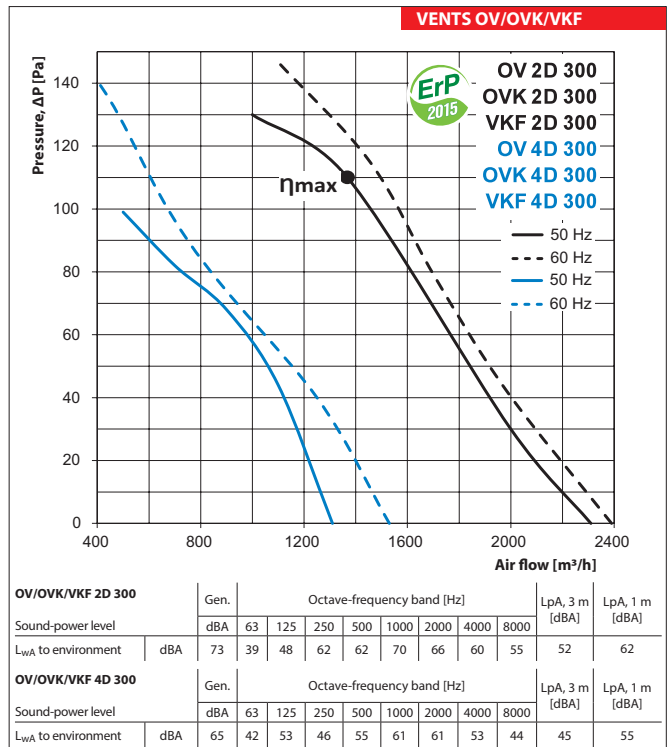
OV/OVK/VKF 4E 630

| η [%] | MC | EC | N | VSD | kW | A | m³/h | Pa | RPM | SR |
|-------|----|--------|------|-----|-------|------|------|-----|------|----|
| 37.5 | A | Static | 44.4 | No | 0.800 | 3.76 | 7095 | 149 | 1290 | 1 |



OV/OVK/VKF 2D 250

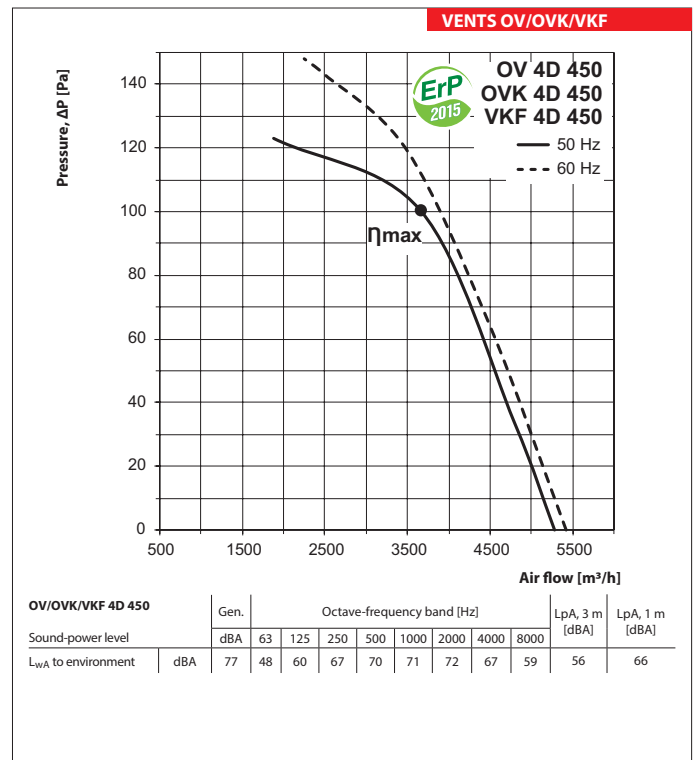
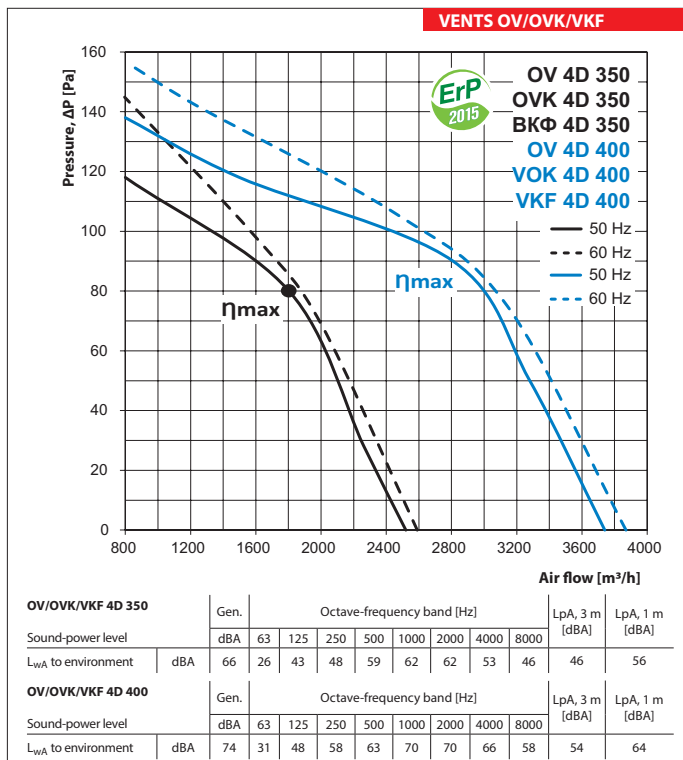
| η [%] | MC | EC | N | VSD | kW | A | m³/h | Pa | RPM | SR |
|-------|----|--------|----|-----|-------|------|------|-----|------|----|
| 30.3 | A | Static | 42 | No | 0.141 | 0.25 | 1367 | 110 | 2350 | 1 |



OV/OVK/VKF 2D 300

| η [%] | MC | EC | N | VSD | kW | A | m³/h | Pa | RPM | SR |
|-------|----|--------|----|-----|-------|------|------|-----|------|----|
| 30.3 | A | Static | 42 | No | 0.141 | 0.25 | 1367 | 110 | 2350 | 1 |

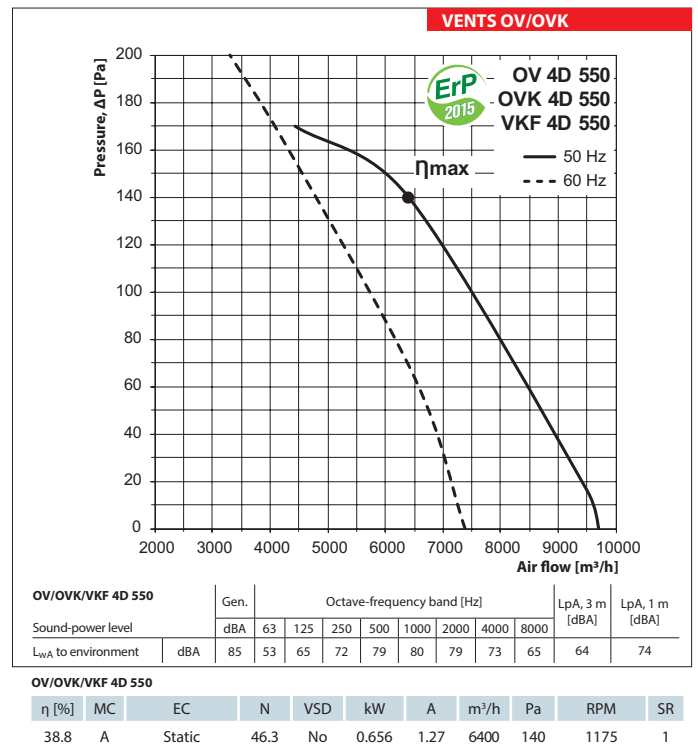
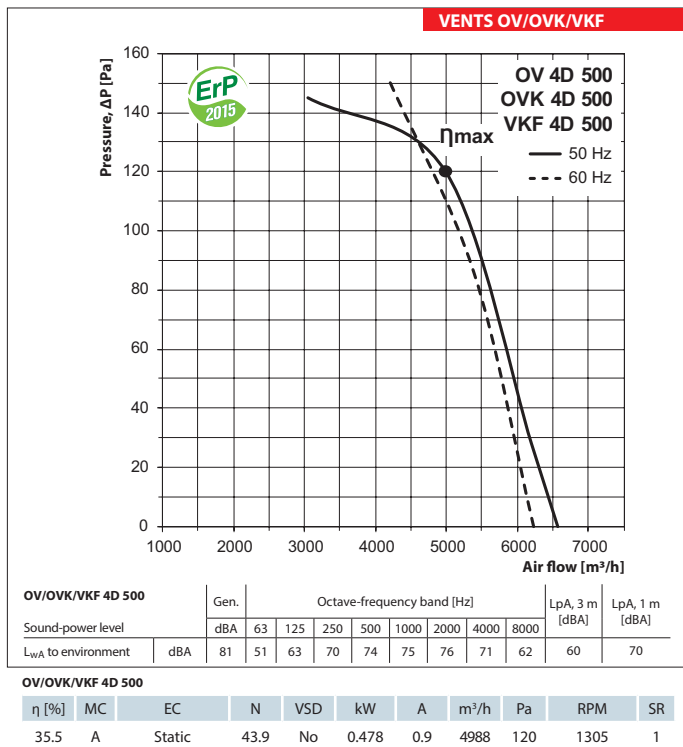
VENTS OV
 VENTS OVK
 VENTS VKF
 FAN SERIES



| OV/OVK/VKF 4D 350 | MC | EC | N | VSD | kW | A | m³/h | Pa | RPM | SR |
|-------------------|----|--------|------|-----|-------|------|------|----|------|----|
| 31.7 | A | Static | 43.7 | No | 0.129 | 0.37 | 1802 | 80 | 1400 | 1 |

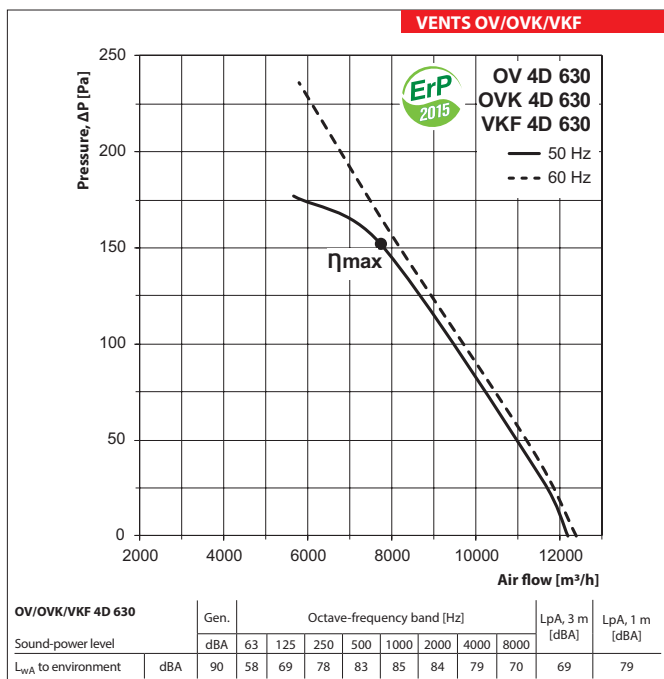
| OV/OVK/VKF 4D 400 | MC | EC | N | VSD | kW | A | m³/h | Pa | RPM | SR |
|-------------------|----|--------|------|-----|-------|------|------|----|------|----|
| 34.3 | A | Static | 44.9 | No | 0.209 | 0.47 | 2807 | 90 | 1365 | 1 |

| OV/OVK/VKF 4D 450 | MC | EC | N | VSD | kW | A | m³/h | Pa | RPM | SR |
|-------------------|----|--------|------|-----|-------|------|------|-----|------|----|
| 35.1 | A | Static | 44.8 | No | 0.296 | 0.59 | 3659 | 100 | 1310 | 1 |

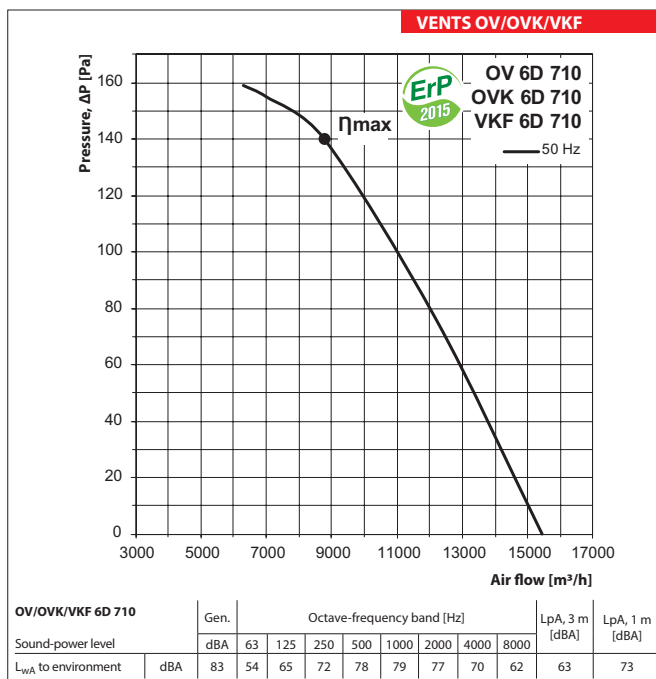


| OV/OVK/VKF 4D 500 | MC | EC | N | VSD | kW | A | m³/h | Pa | RPM | SR |
|-------------------|----|--------|------|-----|-------|-----|------|-----|------|----|
| 35.5 | A | Static | 43.9 | No | 0.478 | 0.9 | 4988 | 120 | 1305 | 1 |

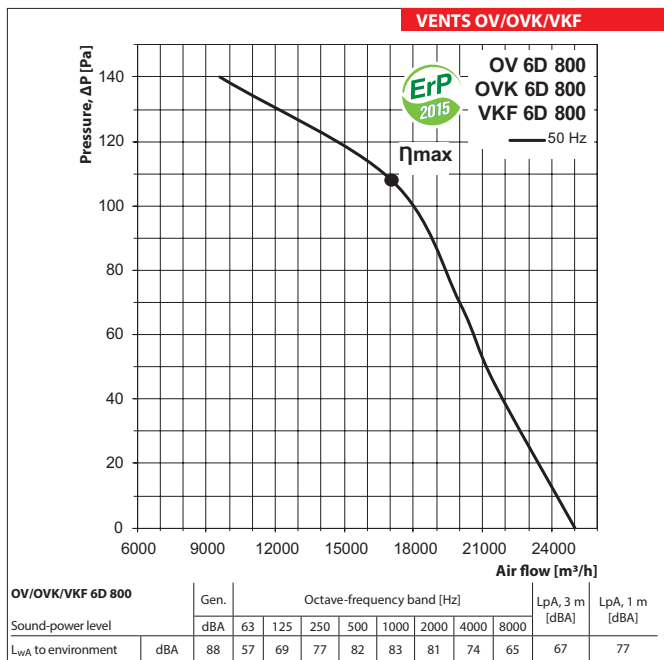
| OV/OVK/VKF 4D 550 | MC | EC | N | VSD | kW | A | m³/h | Pa | RPM | SR |
|-------------------|----|--------|------|-----|-------|------|------|-----|------|----|
| 38.8 | A | Static | 46.3 | No | 0.656 | 1.27 | 6400 | 140 | 1175 | 1 |



| η [%] | MC | EC | N | VSD | kW | A | m³/h | Pa | RPM | SR |
|-------|----|--------|------|-----|-------|------|------|-----|------|----|
| 41.2 | A | Static | 48.1 | No | 0.810 | 1.61 | 7743 | 152 | 1290 | 1 |



| η [%] | MC | EC | N | VSD | kW | A | m³/h | Pa | RPM | SR |
|-------|----|--------|----|-----|-------|------|------|-----|-----|----|
| 35.6 | A | Static | 42 | No | 0.979 | 1.91 | 8777 | 140 | 830 | 1 |



| η [%] | MC | EC | N | VSD | kW | A | m³/h | Pa | RPM | SR |
|-------|----|--------|------|-----|-------|-----|-------|-----|-----|----|
| 31.6 | A | Static | 36.6 | No | 1.650 | 3.6 | 17040 | 108 | 915 | 1 |

VENTS OV
 VENTS OVK
 VENTS VKF
 FAN SERIES