

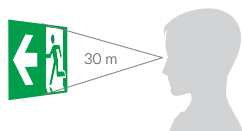
ONTEC PPN

MINIMALIST DESIGN HIDING MAXIMUM POWER



56

» visibility up to 30 meters




» recessed installation

» easy and quick installation

» one-sided or double-sided view fitting

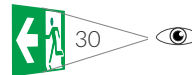


Application	evacuation road direction (evacuation sign)
Type	double-sided fitting
Light source	LED 
Visibility	30 m
Testing for self-contained	non-addressable: ST – for button test non-addressable: AT – auto-test / self-test addressable: DATA – with addressable module for DATA system addressable: DATA 2 – with addressable module for DATA 2 system addressable: DALI – with addressable module for DALI systems
Testing for central battery	non-addressable: CB – without addressable module addressable : CBA – with addressable module
Power supply	210÷250 V AC 50÷60 Hz 186÷254 V DC
Protection degree	IP20
Insulation class	II
Temperature range	ST, AT, DATA, DATA 2, DALI: $t_a +10^{\circ}\text{C} \div +35^{\circ}\text{C}$ CB1: $t_a -15^{\circ}\text{C} \div +55^{\circ}\text{C}$ CB2: $t_a -10^{\circ}\text{C} \div +40^{\circ}\text{C}$
Glow wire test	850°C
Colour	<input type="checkbox"/> RAL 9003 <input type="checkbox"/> RAL 7035 <input checked="" type="checkbox"/> RAL 9004
Material	housing: PC/ABS

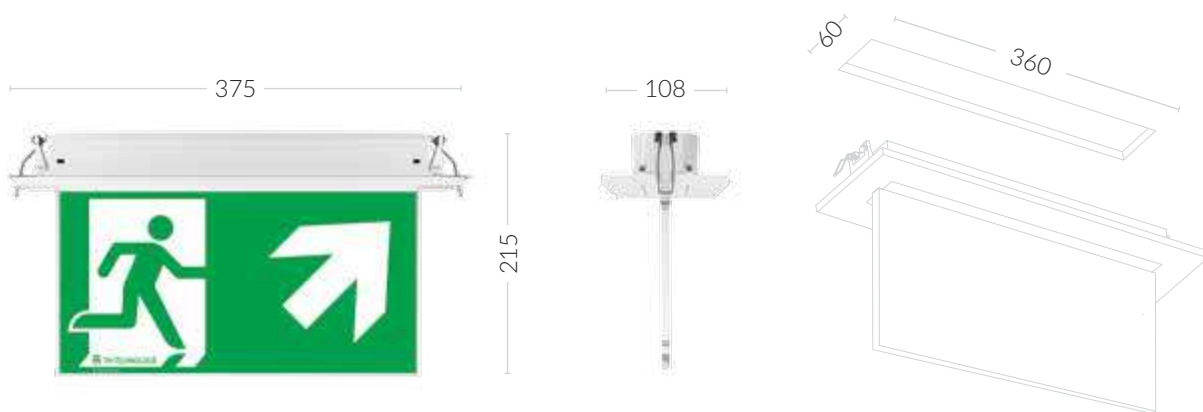
» recessed installation



Pictograms in the set:



Dimensions [± 2 mm]



Model	Luminance	Mode	Time	Battery	Testing
ONTEC PPN 31P	≥ 150 cd/m ²	M / NM	3 h	LiFePO4	ST / AT / DATA / DATA 2 / DALI
ONTEC PPN 31P	≥ 150 cd/m ²	-	-	-	CB, CBA

