

ONTEC PN


INVISIBLE FITTING



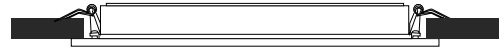
64

- » recessed installation
- » easy and quick installation

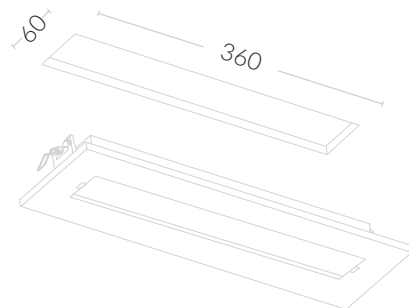
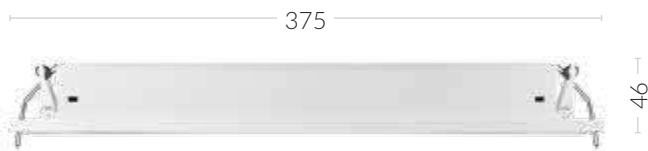


Application	anti-panic lighting escape route lighting
Light source	LED 
Testing for self-contained	non-addressable: ST – for button test non-addressable: AT – auto-test / self-test addressable: DATA – with addressable module for DATA system addressable: DATA 2 – with addressable module for DATA 2 system addressable: DALI – with addressable module for DALI systems
Testing for central battery	non-addressable: CB – without addressable module addressable : CBA – with addressable module
Power supply	210÷250 V AC 50÷60 Hz 186÷254 V DC
Protection degree	IP20
Insulation class	II
Temperature range	ST, AT, DATA, DATA 2, DALI: $t_a +10^{\circ}\text{C} \div +35^{\circ}\text{C}$ CB1: $t_a -15^{\circ}\text{C} \div +55^{\circ}\text{C}$ CB2: $t_a -10^{\circ}\text{C} \div +40^{\circ}\text{C}$
Glow wire test	850°C
Colour	<input type="checkbox"/> RAL 9003 <input type="checkbox"/> RAL 7035 <input checked="" type="checkbox"/> RAL 9004
Material	housing: PC/ABS

» recessed installation



Dimensions [± 2 mm]



Model	Luminous flux	Mode	Time	Battery	Testing
ONTEC PN 302	> 220 lm	M / NM	3 h	LiFePO4	ST / AT / DATA / DATA 2 / DALI
ONTEC PN 305	> 500 lm	M / NM	3 h	LiFePO4	ST / AT / DATA / DATA 2 / DALI
ONTEC PN 302	> 220 lm	-	-	-	CB, CBA
ONTEC PN 305	> 500 lm	-	-	-	CB, CBA

