

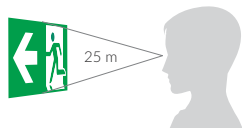
TM.ONTEC G

ONE FITTING - MANY APPLICATIONS



42

- » high luminance - up to 500 cd/m²
- » visibility up to 25 meters



- » extended lifetime thanks to LiFePO₄ packages
- » easy and quick installation
- » maintain (M) or non-maintain (NM) operation mode
- » one-sided or double-sided view fitting

Application: evacuation road direction (evacuation sign)
 Light source: LED 
 Visibility: 25 m

Testing for self-contained:
 non-addressable: ST – for button test
 non-addressable: AT – auto-test / self-test
 addressable: DATA – with addressable module for DATA system
 addressable: DATA 2 – with addressable module for DATA 2 system
 addressable: DALI – with addressable module for DALI systems

Testing for central battery:
 non-addressable: CB1 – without addressable module
 addressable: CB2 – with addressable module

Power supply: 210÷250 V AC 50÷60 Hz
 186÷254 V DC

Protection degree: IP20

Insulation class: II

Temperature range: ST, AT, DATA, DATA 2, DALI: $t_a +10^{\circ}\text{C} \div +35^{\circ}\text{C}$
 CB1: $t_a -15^{\circ}\text{C} \div +55^{\circ}\text{C}$
 CB2: $t_a -10^{\circ}\text{C} \div +40^{\circ}\text{C}$

Glow wire test: 850°C

Colour: RAL 9003 RAL 7035 RAL 9004

Material: housing: PC/ABS

» ceiling installation



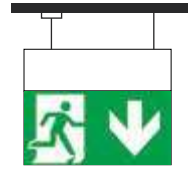
» recessed mounting TM-AKC.OG001



» wall installation



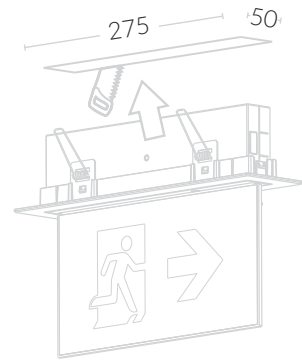
» suspension bracket TM-AKC.OG010 + MC.ZAW.OG.001



Pictograms in the set:



Dimensions [± 2 mm]



Model	Luminance	Mode	Time	Battery	Testing
TM.ONTEC G E1A	≥ 150 cd/m ²	NM	1 / 3 h	Ni-Cd	ST
TM.ONTEC G E1B	≥ 150 cd/m ²	M / NM	1 / 3 h	Ni-Cd	ST / AT / DATA / DATA 2 / DALI
TM.ONTEC G E1E	≥ 150 cd/m ²	M / NM	1 / 3 h	LiFePO4	ST / AT / DATA / DATA 2 / DALI
TM.ONTEC G E1P*	≥ 300 cd/m ²	M / NM	1 / 3 h	LiFePO4	ST / AT / DATA / DATA 2 / DALI
TM.ONTEC G E1E	≥ 150 cd/m ²	-	-	-	CB1, CB2
TM.ONTEC G E1P*	≥ 300 cd/m ²	-	-	-	CB1, CB2

*For pictogram luminance > 500 cd/m² (PRO version) is necessary to order a special extension kit [OG +500 cd].



The housings come in different color options.

