

TE15 digital timer switch

These devices are intended for counting time intervals, automated shutting down/switching on the electrical equipment at pre-defined time periods during a week and managing different processes. The timer switch can be used in industrial and domestic electric installations. It is installed into electric distribution panels.


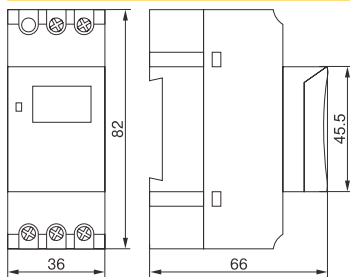
Preset control programs are designed for a weekly cycle.

TE15 maintains for operation modes:

- all business days (mon-fri);
- weekend days (sat-sun);
- whole week (mon-sun);
- any one day.

It can be manually switched on/off any time.

Range

	Overall dimensions	Name	Rated operating current, V		Package amount, pcs		Product ID
					multiple	transport	
		TE15	230	1	100	MTA10-16	

Technical Features

Meet standards	IEC 60730-1, IEC 60730-2-7
Rated voltage, V	230
Rated frequency, Hz	50
Number of control programs, on/off	8
Min. operation time setting interval, min	1
Time interval reading error, max. s/day	2
Max. load current, A	at $\cos \varphi = 1$ 16 at $\cos \varphi = 0,5$ 8
Power consumption, max. W	5
Preset program saving at supply voltage off, min. h	150
Operating temperature range, °C	-10 ÷ +40
Mechanical wear resistance, min. power cycles	10 000 000
Electrical wear resistance, min. power cycles	100 000
Protection degree	IP20
Weight, max. kg	0,15