

Gel joints Break

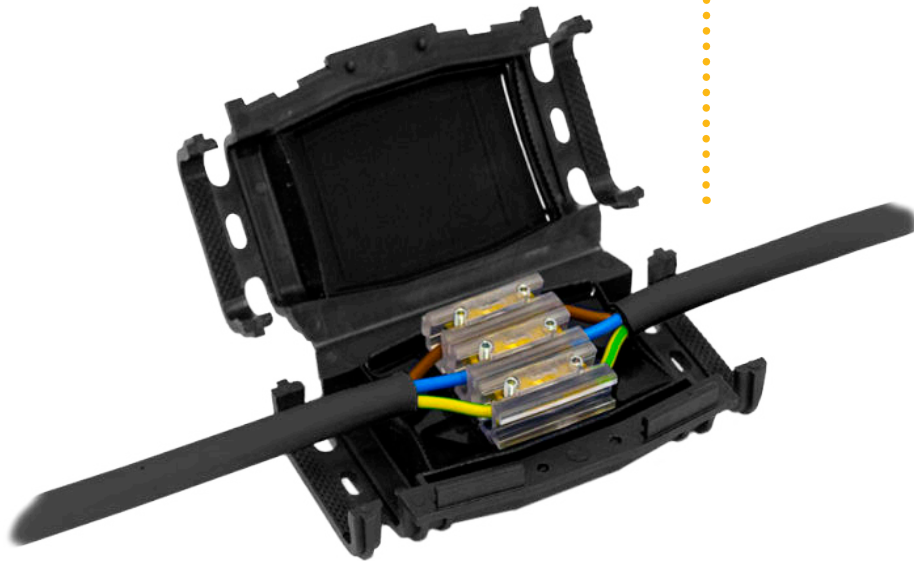
Fastest way to make an underground connection!

No expiration date

IP 68

For underground installation

UV- and chemical resistance



Gel joints Break series is suitable to guarantee insulation of low voltage main and shunted, single-pole and multi-pole connections ranging from 0,6/1 kV.

The list of products is made up of a series for main connections and a series for shunted connections. The first series allows single-pole and multi-pole connections with max. section respectively of 1x185 mm² and 4x25 mm²; the second series allows single-pole and multi-pole shunted connections with max. section respectively of 1x120 mm² e 4x10 mm².

The insulation phase in each joint is made with a separator included in the kit or with the innovative modular insulated terminals, up to five phases with max. section of 35 mm².

Technical specifications

- Protection degree IP68
- Operating temperature from -20 °C to +90 °C

Regulations compliance

- EN 50393 (0,6/1 kV)
- EN 60529
- RoHS Directive 2011/65/EC
- 20-37/2-1, 20-37/7
- EN 60695-2-11



Break 25

Break 30

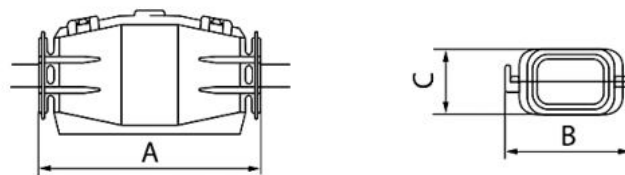
Break 50

Break 50Y

Break 100

Order code	MBG0025A24	MBG0030A24	MBG0050A24	MBG0050Y24	MBG0100A24
Dimensions A / B / C (mm)	70 / 42 / 24	100 / 59 / 34	165 / 62 / 36	220 / 100 / 50	180 / 105 / 36
Package (pcs)	4	5	3	1	1

Dimensions



Installation



1. Strip and crimp wires.



2. Dip connection in the gel and block wires at the ends with the included tie-wraps.



3. Verify clip closing and gel overflowing in wire input/output points in order to guarantee a perfect watertight seal.

Components and characteristics

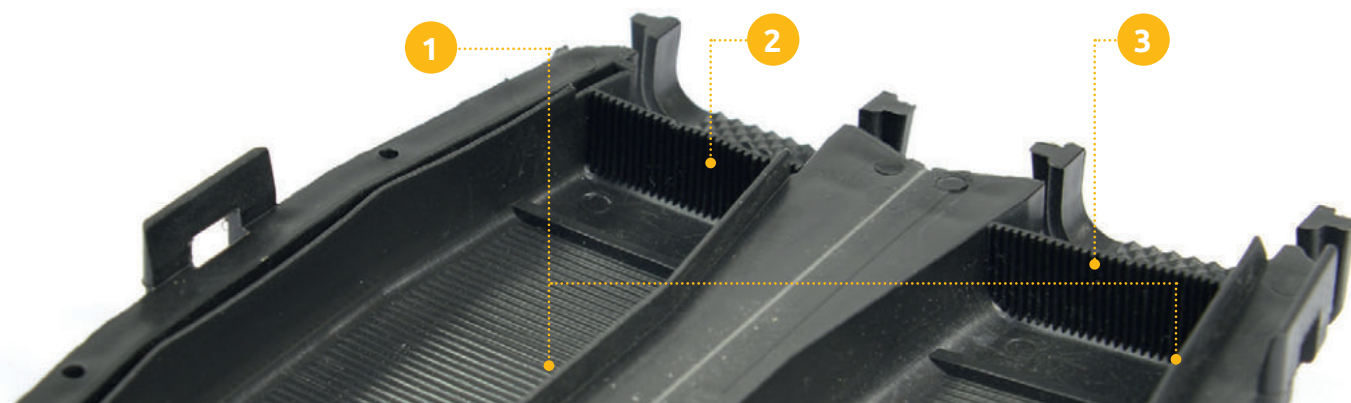
- Two polypropylene hinged shells with patented watertight system, made up of a longitudinal ribbing (1) functioning as the gel containing bulkhead. At both ends there are pre-fractured walls (2) that allow gel overflowing, ensuring a good water tightness.
- Wire slipping is avoided in longitudinal direction thanks to ribbing (3) at the ends of the shells and in transversal direction thanks to wire fixing with tie-wraps included in the package.
- Patented separator made up of two notched plates that allow a reciprocal jointing and two protrusions that block the plates.
- There are two holes at the ends of each model in order to insert and fix tie-wraps. Joint opening can occur only using a tool according to norm CEI 64-8.

Advantages

- Re-enterable connection
- High mechanical strength with wide range of operating temperature
- Fast laying
- Cross-linked gel in the two shells (avoiding additional casting)
- Versatility of application, even in submerged conditions
- High watertight properties
- High dielectric strength
- Non sliding wires
- High strength against chemical agents or UV rays
- No expiration date

Kit content*

- Shell
- Tie-wraps
- Separator



Order code	Type	Connection type	●		●●				●●●				●●●●					
			Min.	Max.	Min.	Max.	Min.	Max.	Min.	Max.	Min.	Max.	Min.	Max.	Min.	Max.		
MBG0025A24	Break 25	Main wiring	1,5	25	-	-	-	-	-	-	-	-	-	-	-	-	-	
		Branching wiring	1,5	25	1,5	10	-	-	-	-	-	-	-	-	-	-	-	
MBG0030A24	Break 30	Main wiring	1,5	50	-	-	1,5	10	-	-	1,5	4	-	-	1,5	2,5	-	-
		Branching wiring	1,5	50	1,5	35	-	-	-	-	-	-	-	-	-	-	-	-
MBG0050A24	Break 50	Main wiring	10	120	-	-	6	16	-	-	1,5	10	-	-	1,5	10	-	-
		Branching wiring	10	70	1,5	35	1,5	10	1,5	6	1,5	10	1,5	4	1,5	6	1,5	4
MBG0100A24	Break 100	Main wiring	35	185	-	-	16	50	-	-	4	25	-	-	6	25	-	-
		Branching wiring	25	150	10	120	10	35	6	25	4	16	2,5	4	6	16	2,5	10
MBG0050Y24	Break 50Y	Main wiring	-	-	-	-	-	-	-	-	-	-	-	-	-	-	-	-
		Branching wiring	6	70	2,5	50	1,5	25	1,5	16	2,5	16	1,5	10	2,5	16	1,5	10