

# Heavy duty connectors OL

Up to

**800 A**

**2x300 mm<sup>2</sup>**

**Bimetal  
(Al/Cu)**

Made of

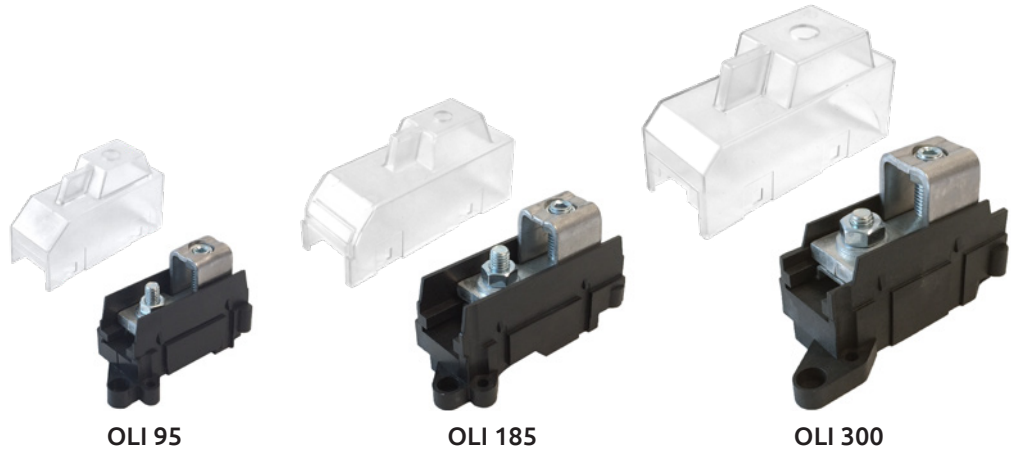
**stainless  
steel**

– suitable for harsh  
environments



Insulated universal connectors OLI are intended for connecting copper and aluminium conductors in nominal cross-section from 25 to 300 mm<sup>2</sup>. Connectors are designed for connecting copper or aluminium cables with flexibars or with cables with lug. Individual parts are made of stainless steel (clamp), copper (bridge), steel

(screw) and plastic (housing). These connectors are heavy duty. Clamping them with stranded conductors does not require modification of wire ends (clamping surface of terminal, not flat screw spot). IP protection class for OLI terminals is IP20.



	MAJ1095S10	MAJ1185S10	MAJ1300S10
<b>Technical data</b>			
Conductor cross-section Cu / Al (mm <sup>2</sup> )	25 - 95	95 - 185	185 - 300
Nominal voltage (V)	690	690	690
Nominal current (A)	320	400	560
Width / Height / Length (mm) L1 / W1 / W2	40 / 60 / 87 55 / 16,6 / 20	49 / 67 / 113 76,9 / 21,4 / 25	57 / 88 / 143 86,5 / 25 / 32
Screw, hexagonal key (AV)	SW 4	SW 5	SW 6
Tightening torque (Nm)	20	40	70
Mounting	Screw	Screw	Screw
Weight (g)	119	237	444
Package (pcs)	12	10	8

**Dimensions**

