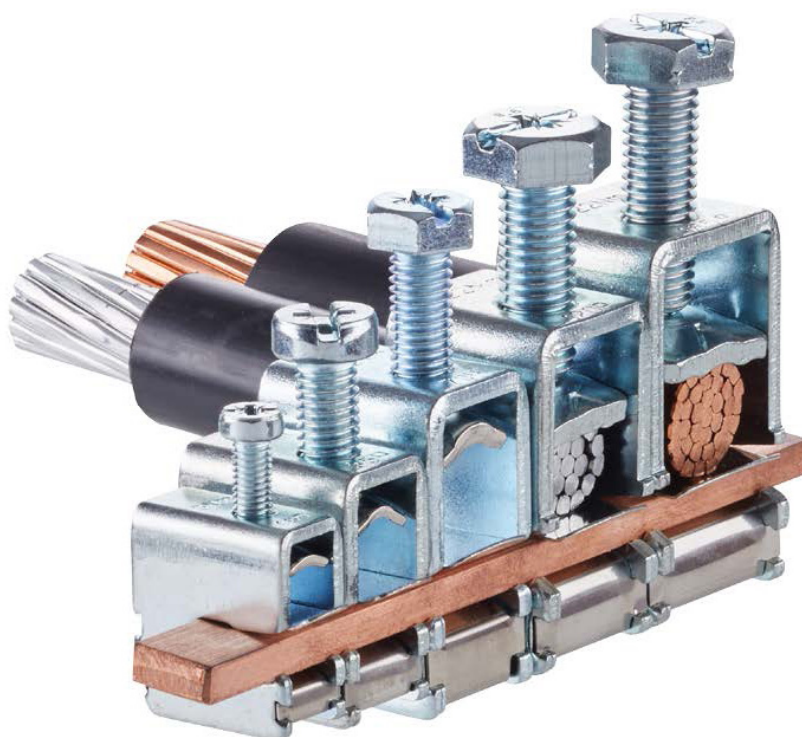


Bow terminals

Simple installation

Suitable for
cables and
flexibars

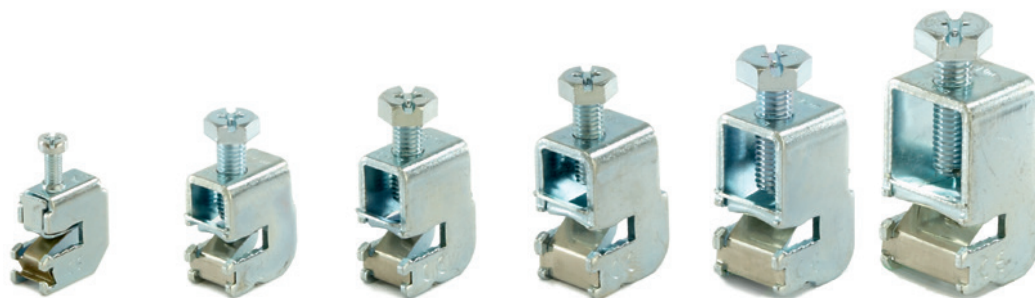
Bimetallic versions available



Bow terminals MAE-E are designed for mounting on copper busbar with thickness of 5 or 10 mm, enabling fastening wires up to 185 mm² according to different types or up to 10x20 mm Moflex flexibars. Body and screw of terminals are made of steel (class 11) and galvanized by Zn. The pressure spring is made of stainless steel. Hexagonal head in terminals (except MAE 16E) enables to tighten screws using hexagonal key with slotted blade or Phillips screwdriver.

Advantages

- Quick and easy installation
- Ideal for on-site modifications
- Allows for excellent electrical contact
- Terminal has visible indication of tightening torque
- Suitable to connect wires up to 185 mm² according to different types
- Suitable to connect up to 10x20 mm Moflex flexibars to copper busbar



Mounting	MAE 16E	MAE 35E	MAE 50E	MAE 70E	MAE 120E	MAE 185E
5 mm bar	MAE0165E15	MAE0355E15	MAE0505E15	MAE0705E15	MAE1205E15	MAE1855E15
10 mm bar	MAE0161E15	MAE0351E15	MAE0501E15	MAE0701E15	MAE1201E15	MAE1851E15

Technical data

Cross-section Cu (mm ²)	1,5 - 16	4 - 35	10 - 50	16 - 70	16 - 120	50 - 185
Flexibar max. width (mm)	-	9	9	9	15,5	20
Flexibar max. layers	-	6	6	6	10	10
Nominal voltage AC/DC (V)	1000	1000	1000	1000	1000	1000
Nominal current (A)	180	270	315	400	440	500
Width / Height / Length (mm)						
Cu bar (th. 5 mm)	25,5 / 26,5 / 12	26,5 / 31,3 / 16,5	26,5 / 35 / 16,5	28 / 39 / 20,5	29 / 46 / 23,5	29 / 55 / 35
Cu bar (th. 10 mm)	25,5 / 29 / 12	26,5 / 36,5 / 16,5	26,5 / 40 / 16,5	28 / 46 / 20,5	29 / 52 / 23,5	29 / 55 / 35
Screw / hexagonal key (AV)	Pz2	Pz3 / SW13	Pz3 / SW13	Pz3 / SW13	Pz3 / SW17	Pz3 / SW17
Tightening torque (Nm)	3	6	8	8	20	20
Weight (g)						
Cu bar (th. 5 mm)	22	44	48	62	88	102
Cu bar (th. 10 mm)	21	45	48	68	90	96
Package (pcs)	40	20	20	10	10	10

Dimensions

