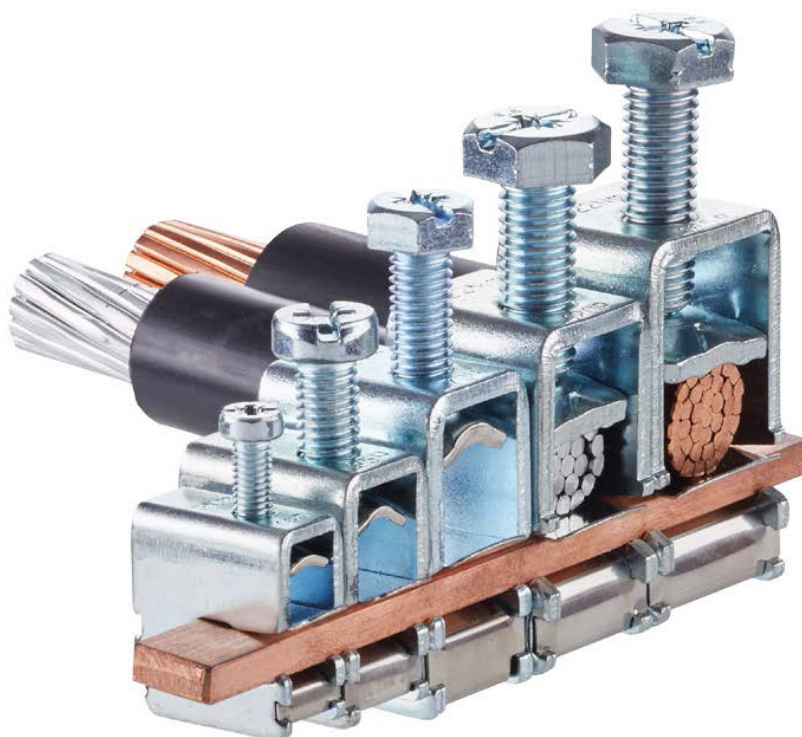


Bow terminals

Simple installation

Suitable for
cables and
flexibars

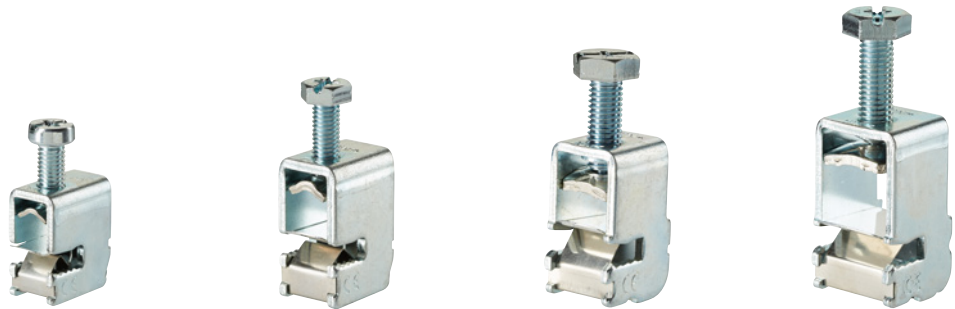
Bimetallic versions available



Bimetal bow terminals MAE-H are designed for mounting on copper or aluminium busbar with thickness of 5 or 10 mm, enabling fastening copper and aluminium wires up to 185 mm² or up to 10x20mm Moflex flexibars. Terminals have bimetal plate between busbar and cable connection. Body and screw of terminals are made of steel (class 11) and galvanized by Zn. The pressure spring is made of stainless steel and separating plate - of phosphorus bronze. Hexagonal head in terminals (except MAE 35H) enables to tighten screws using hexagonal key with slotted blade or Phillips screwdriver.

Advantages

- Quick and easy installation
- Ideal for on site modifications
- Allows for excellent electrical contact
- Terminal has visible indication of tightening torque
- Suitable to connect aluminium cable to copper busbar or copper cable to aluminium busbar without additional need for TIN plated busbars
- Suitable to connect Moflex copper flexibar to aluminium busbar without additional need for TIN plated busbars or flexibars



| Mounting | MAE 35H | MAE 70H | MAE 120H | MAE 185H |
|-----------|------------|------------|------------|------------|
| 5 mm bar | MAE0355H15 | MAE0705H15 | MAE1205H15 | MAE1855H15 |
| 10 mm bar | MAE0351H15 | MAE0701H15 | MAE1201H15 | MAE1851H15 |

| Technical data | | | | |
|---|------------------|----------------|--------------|--------------|
| Cross-section Cu, Al (mm ²) | 4 - 35 | 16 - 70 | 16 - 120 | 50 - 185 |
| Flexibar max. width (mm) | 9 | 9 | 15,5 | 20 |
| Flexibar max. layers | 6 | 6 | 10 | 10 |
| Nominal voltage AC/DC (V) | 1000 | 1000 | 1000 | 1000 |
| Nominal current (A) | 270 | 400 | 440 | 500 |
| Width / Height / Length (mm) | | | | |
| 5 mm bar | 26,5 / 32 / 16,5 | 27,5 / 41 / 21 | 29 / 46 / 24 | 29 / 52 / 30 |
| 10 mm bar | 26,5 / 37 / 16,5 | 27,5 / 46 / 21 | 29 / 51 / 24 | 29 / 56 / 30 |
| Screw / hexagonal key (AV) | Pz3 / SW13 | Pz3 / SW13 | Pz3 / SW17 | Pz3 / SW17 |
| Tightening torque (Nm) | 6 | 12 | 22 | 22 |
| Weight (g) | | | | |
| 5 mm bar | 44 | 62 | 88 | 102 |
| 10 mm bar | 45 | 68 | 90 | 102 |
| Package (pcs) | 10 | 10 | 10 | 10 |

Dimensions

