

# Device connectors SR

**Direct  
connection**  
to the device

**Bimetal  
(Al/Cu)**

**Class A**

Certified according to  
standards EN 61238-1  
and EN 60947-7-1





SR 95SB

SR 95SBM

SR 95RB

SR 95RBM

Left handed	-	-	MAC9510A10	MAC9513A10
Standard	MAC9505A10	MAC9503A10	MAC9504A10	MAC9502A10
Right handed	-	-	MAC9511A10	MAC9512A10

**Technical data**

Conductor cross-section Cu, Al (mm <sup>2</sup> )	16 - 95	16 - 95	16 - 95	16 - 95
Measurement wire	-	2,5	-	2,5
Nominal voltage AC / DC (V)	690	690	690	690
Nominal current Cu / Al (A)	230 / 180	230 / 180	230 / 180	230 / 180
Width / Height / Length (mm)	23,4 / 51 / 67,8	23,4 / 51 / 67,8	23,4 / 51 / 67,8	23,4 / 51 / 67,8
Dimensions L1 / H1 / H2 / W1 (mm)	26,6 / 9 / 3,5 / 16	26,6 / 9 / 3,5 / 16	16,6 / 9 / 3,5 / 10	16,6 / 9 / 3,5 / 10
Screw, hexagonal key	No. 6	No. 6	No. 6	No. 6
Tightening torque (Nm)	12 Nm (16 - 50 mm <sup>2</sup> ) 20 Nm (70 - 95 mm <sup>2</sup> )	12 Nm (16 - 50 mm <sup>2</sup> ) 20 Nm (70 - 95 mm <sup>2</sup> )	12 Nm (16 - 50 mm <sup>2</sup> ) 20 Nm (70 - 95 mm <sup>2</sup> )	12 Nm (16 - 50 mm <sup>2</sup> ) 20 Nm (70 - 95 mm <sup>2</sup> )
Weight (g)	58	58	56 / 58	56 / 58
Package (pcs)	30	30	30	30

**Model specification (marking)** M - model has connector for measurement | RB - rounded busbar

SR 95RB(M)



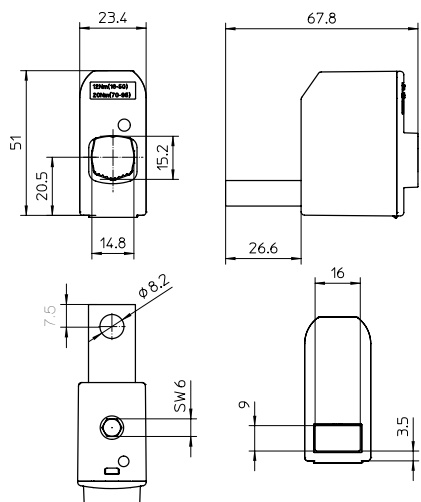
Right-handed

Standard

Left-handed

**Dimensions**

SR 95SB(M)



SR 95RB(M)

