

# Distribution blocks Moblock

Up to

**160 A**

**50 mm<sup>2</sup>**

Insulation  
between  
phases

Certified according  
to standards  
EN 60947-1  
EN 60947-7-1

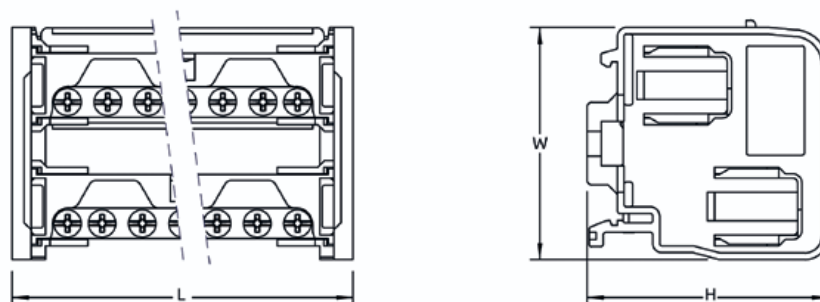


*Moblock distribution blocks are available in two-pole (up to 35 mm<sup>2</sup> and 125A) and four-pole (up to 50 mm<sup>2</sup> and 160A) versions. They feature isolated brackets, a removable transparent cover, and convenient installation on DIN rails or panels. With brass conductive parts, galvanized steel connectors, and insulating barriers, these blocks ensure safe and efficient electrical connections.*



Order code	Moblock 2P 125A-7	Moblock 2P 125A-11	Moblock 2P 125A-15
	MAB2124A18	MAB2125A18	MAB2126A18
<b>Technical data</b>			
<b>Conductor cross section (per pole)</b>			
Input wire Cu (mm <sup>2</sup> )	2 x 10 - 35	2 x 10 - 35	2 x 10 - 35
Output wire Cu (mm <sup>2</sup> )	5 x 1,5 - 6	7 x 1,5 - 6 / 2 x 10 - 25	11 x 1,5 - 6 / 2 x 10 - 25
Nominal voltage AC / DC (V)	1000	1000	1000
Nominal current (A)	125	125	125
Width / Height / Length (mm)	49 / 52 / 72	49 / 52 / 109	49 / 52 / 137
Short-circuit current peak I <sub>pk</sub> (kA)	20	19	19
Short-time withstand current (kA/1s)	6	4,2	4,2
Rated surge voltage (kV)	8	8	8
Min. length of insulated wire (mm)	13	13	13
Tightening torque nominal / max. (Nm)	2 / 2,5	2 / 2,5	2 / 2,5
Mounting	DIN rail, screw	DIN rail, screw	DIN rail, screw
Weight (g)	107	152	197
Package (pcs)	4	2	2

**Dimensions**





Order code	Moblock 4P 125A-7	Moblock 4P 125A-11	Moblock 4P 125A-15	Moblock 4P 160A-9	Moblock 4P 160A-14
	MAB4124A18	MAB4125A18	MAB4126A18	MAB4162A18	MAB4163A18

Technical data					
<b>Conductor cross section (per pole)</b>					
Input wire Cu (mm <sup>2</sup> )	2 x 10 - 35	2 x 10 - 35	2 x 10 - 35	1 x 10 - 50	1 x 10 - 50
Output wire Cu (mm <sup>2</sup> )	5 x 1,5 - 6	7 x 1,5 - 6 / 2 x 10 - 25	11 x 1,5 - 6 / 2 x 10 - 25	6 x 1,5 - 16 / 2 x 10 - 35	9 x 1,5 - 16 / 4 x 10 - 35
Nominal voltage AC / DC (V)	500	500	500	500	500
Nominal current (A)	125	125	125	160	160
Width / Height / Length (mm)	97 / 52 / 72	97 / 52 / 108	97 / 52 / 137	99 / 54 / 131	99 / 54 / 181
Short-circuit current peak I <sub>pk</sub> (kA)	20	19	19	38	38
Short-time withstand current (kA/1s)	6	4,2	4,2	6	6
Rated surge voltage (kV)	8	8	8	8	8
Min. length of insulated wire (mm)	13	13	13	13	13
Tightening torque nominal / max. (Nm)	2 / 2,5	2 / 2,5	2 / 2,5	2 / 2,5 (input wire 10 Nm)	2,5 (input wire 10 Nm)
Mounting	DIN rail, screw	DIN rail, screw	DIN rail, screw	DIN rail, screw	DIN rail, screw
Weight (g)	210	300	386	504	696
Package (pcs)	2	1	1	1	1

Dimensions

