

# Distribution blocks OJL

1000 V  
AC/DC

Bimetal  
(Al/Cu)

Up to

400 A

240 mm<sup>2</sup>

Class A

Certified according to  
standards EN 61238-1  
and EN 60947-7-1



Distribution blocks OJL are intended for distributing conductors with larger cross-section to several smaller ones. These blocks are provided in 6 standard designs with a nominal connecting cross-section of 70 mm<sup>2</sup> Al/Cu (6 outputs for copper cable), 120 mm<sup>2</sup> Al/Cu (11 outputs for copper cable) and 240 mm<sup>2</sup> Al/Cu (7 outputs for copper cable). AF and AFS models are designed for connecting (input) of flexibars 10 x 25 mm or several other bars of 1 x 25 mm (look more about insulated copper flexibars Moflex on page 67).

The screws are tightened by a hexagonal key. Blocks can be installed on a standard DIN rail or can be mounted using screws on a flat solid surface. Maximum operating temperature is 80 °C. Cover sealing is possible on AS and AFS models. Housing for all design types has a protection class IP20.



**OJL 200A**



**OJL 280A**

Black / Grey		MAB1201S10	MAB1281S10
Blue / Grey		MAB1201B10	MAB1281B10
Green / Grey		MAB1201G10	MAB1281G10

**Technical data**

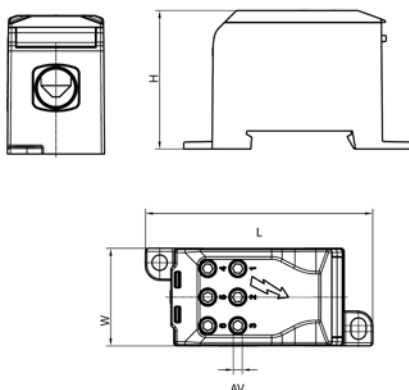
<b>Conductor cross-section</b>	
Input wire Al/Cu (mm <sup>2</sup> )	1 x  10 - 70
Output wire Cu (mm <sup>2</sup> )	6 x  2,5 - 16
Nominal voltage AC / DC (V)	1000
Nominal current (A)	200 (Cu) / 160 (Al)
Width / Height / Length (mm)	32,4 / 46 / 75,8
Screw, hexagonal key	No. 3 / 5
Tightening torque (Nm)	3 Nm (2,5 - 16 mm <sup>2</sup> ) 6 Nm (25 - 35 mm <sup>2</sup> ) 10 Nm (50 - 70 mm <sup>2</sup> ) -
Mounting	DIN rail, screw
Weight (g)	84
Package (pcs)	24

Input wire Al/Cu (mm <sup>2</sup> )	1 x  35 - 120
Output wire Cu (mm <sup>2</sup> )	4 x  2,5 - 10 5 x  2,5 - 16 2 x  6 - 35
Nominal voltage AC / DC (V)	1000
Nominal current (A)	280 (Cu) / 250 (Al)
Width / Height / Length (mm)	44,4 / 51 / 97
Screw, hexagonal key	No. 3 / 4 / 6
Tightening torque (Nm)	3 Nm (2,5 - 16 mm <sup>2</sup> ) 6 Nm (25 - 35 mm <sup>2</sup> ) 10 Nm (50 - 70 mm <sup>2</sup> ) 19 Nm (95 - 120 mm <sup>2</sup> )
Mounting	DIN rail, screw
Weight (g)	178
Package (pcs)	12

**Dimensions**

OJL 200A



OJL 280A

