

KMI AC contactors with thermal electrical relay into protective enclosure

KMI AC contactors with thermal electrical relay into protective enclosure represent a complete device consisting of a compact contactor KMI, RTI thermal electrical relay, enclosure with glands and control buttons. They are intended for remote actuation by means of direct connection to the network and shutting down three-phase asynchronous electric motors with a short-circuited rotor for the applied voltage limited to 400 V as well as for protecting electric motors from overloads of inadmissible duration and overcurrents arising in case of one phase retardation. Applying KMI 10910 ÷ KMI 23211 contactors predetermines the use of a plastic enclosure; KMI 34012 ÷ KMI 49512 are supplemented with a metal one.

Correspond to the requirements of EN 60947-1, EN 60947-4-1, EN 60947-5-1.



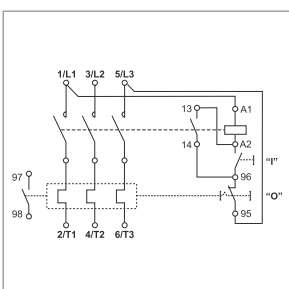
Design Features



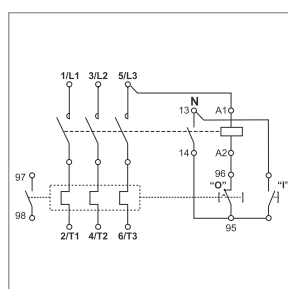
IP54 protection type enclosure provides for using this contactor at construction sites, paint and galvanizing plants (on condition the installations are placed under a weather hood).



Factory control circuit allows avoiding on-site connection faults and reducing the mounting time limited only by connecting linear feeding conductors.



In most cases loads are represented by three-phase asynchronous motors of 400 V. The above mentioned control system is recommended for application in order to reduce the costs and save the working time as the necessity of using the fourth neutral working conductor is excluded.



When managing active loads (heating and lighting circuits) using a neutral conductor, it is recommended to use a 230 V control circuit.

Range

	Name	Rated operating current, A (AC-3)	Rated control coil voltage, V	Number and type of contacts	Package amount, pcs.	Product ID
	KMI10960 9 A in I set enclosure 0,1-0,16 A 220 V/AC3 IP54 IEK	0,16	220		20	KKM16-009-D001-220-00
	KMI10960 9 A in I set enclosure 0,1-0,25 A 220 V/AC3 IP54 IEK	0,25	220		20	KKM16-009-C016-220-00
	KMI10960 9 A in I set enclosure 0,25-0,4 A 220 V/AC3 IP54 IEK	0,4	220		20	KKM16-009-C025-220-00
	KMI10960 9 A in I set enclosure 0,4-0,63 A 220 V/AC3 IP54 IEK	0,63	220		20	KKM16-009-D004-220-00
	KMI10960 9 A in I set enclosure 0,63-1,0 A 220 V/AC3 IP54 IEK	1,0	220		20	KKM16-009-C063-220-00
	KMI10960 9 A in I set enclosure 1,0-1,6 A 220 V/AC3 IP54 IEK	1,6	220		20	KKM16-009-0001-220-00
	KMI10960 9 A in I set enclosure 1,6-2,5 A 220 V/AC3 IP54 IEK	2,5	220		20	KKM16-009-D016-220-00
	KMI10960 9 A in I set enclosure 2,5-4,0 A 220 V/AC3 IP54 IEK	4	220		20	KKM16-009-D025-220-00
	KMI10960 9 A in I set enclosure 4-6 A 220 V/AC3 IP54 IEK	6	220		20	KKM16-009-0004-220-00
	KMI-10960 9 A in enclosure 220 V/AC-3 IP54 IEK	9	220		20	KKM16-009-220-00
	KMI-10960 9 A in enclosure 380 V/AC-3 IP54 IEK	9	380		20	KKM16-009-380-00
	KMI-12260 12 A in enclosure 220 V/AC-3 IP54 IEK	12	220		20	KKM16-012-220-00
	KMI-12260 12 A in enclosure 380 V/AC-3 IP54 IEK	12	380		20	KKM16-012-380-00
	KMI-11860 18 A in enclosure 220 V/AC-3 IP54 IEK	18	220		20	KKM16-018-220-00
KMI-11860 18 A in enclosure 380 V/AC-3 IP54 IEK	18	380		20	KKM16-018-380-00	
	KMI-22560 25 A in enclosure 220 V/AC-3 IP54 IEK	25	220		16	KKM26-025-220-00
	KMI-22560 25 A in enclosure I 380 V/AC-3 IP54 IEK	25	380		16	KKM26-025-380-00
	KMI-23260 32 A in enclosure 220 V/AC-3 IP54 IEK	32	220		16	KKM26-032-220-00
	KMI-23260 32 A in enclosure 380 V/AC-3 IP54 IEK	32	380		16	KKM26-032-380-00
	KMI-34062 40 A in enclosure 220 V/AC-3 IP54 IEK	40	220	1p	6	KKM36-040-220-00
	KMI-34062 40 A in enclosure 380 V/AC-3 IP54 IEK	40	380	1p	6	KKM36-040-380-00
	KMI-35062 50 A in enclosure 220 V/AC-3 IP54 IEK	50	220	1p	6	KKM36-050-220-00
	KMI-35062 50 A in enclosure 380 V/AC-3 IP54 IEK	50	380	1p	6	KKM36-050-380-00
	KMI-46562 65 A in enclosure 220 V/AC-3 IP54 IEK	65	220	1p	6	KKM46-065-220-00
	KMI-46562 65 A in enclosure 380 V/AC-3 IP54 IEK	65	380	1p	6	KKM46-065-380-00
	KMI-48062 80 A in enclosure 220 V/AC-3 IP54 IEK	80	220	1p	6	KKM46-080-220-00
	KMI-48062 80 A in enclosure 380 V/AC-3 IP54 IEK	80	380	1p	6	KKM46-080-380-00
	KMI-49562 95 A in enclosure 220 V/AC-3 IP54 IEK	95	220	1p	6	KKM46-095-220-00
KMI-49562 95 A in enclosure I 380 V/AC-3 IP54 IEK	95	380	1p	6	KKM46-095-380-00	

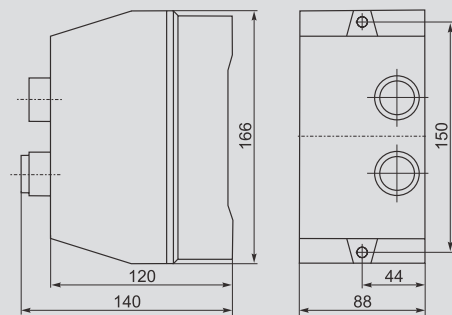


Technical Features

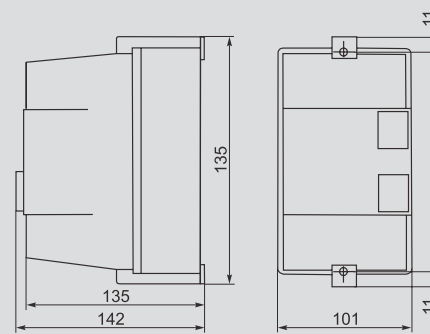
Features	KMI-10960 in enclosure	KMI-11260 in enclosure	KMI-11860 in enclosure	KMI-22560 in enclosure	KMI-23260 in enclosure	KMI-34062 in enclosure	KMI-35062 in enclosure	KMI-46562 in enclosure	KMI-48062 in enclosure	KMI-49562 in enclosure	
Rated operating AC voltage U_e , V	230; 400										
Rated insulation voltage U_i , V	660										
Rated impulse voltage U_{imp} , kV	6										
Rated operating current I_e , application category AC-3 ($U_n \leq 400$ V), A	9	12	18	25	32	40	50	65	80	95	
Conventional thermal current I_{th} ($t^\circ \leq 40^\circ$), application category AC-1, A	25	25	32	40	50	60	80	80	125	125	
Rated power for AC-3, kW	230 V	2,2	3	4	5,5	7,5	11	15	18,5	22	25
	400 V	4	5,5	7,5	11	15	18,5	22	30	37	45
Max. short-time load ($t \leq 1s$), A	162	216	324	450	576	720	900	1170	1440	1710	
Conditional short-circuit current I_{nc} , A	1000	1000	3000	3000	3000	3000	3000	3000	5000	5000	
Overcurrent protection - fuse gG, A	10	20	25	40	50	50	63	80	100	100	
Coordination type	2										
Power dissipated at I_e , W/pole	AC-3	0,2	0,36	0,8	1,25	2	2,4	3,7	4,2	5,1	7,2
	AC-1	1,56	1,56	2,5	3,2	5	5,4	9,6	6,4	12,5	12,5
RTI thermal electrical relay	RTI-1314	RTI-1316	RTI-1321	RTI-1322	RTI-2355	RTI-3357	RTI-3359	RTI-3361	RTI-3363	RTI-3365	
Relay setting range, A	7 ÷ 10	9 ÷ 13	12 ÷ 18	17 ÷ 25	30 ÷ 40	37 ÷ 50	48 ÷ 65	55 ÷ 70	63 ÷ 80	80 ÷ 93	
Electric shock hazard protection	II	II	II	II	II	I	I	I	I	I	

Overall Dimensions

KMI-10960; KMI-11260; KMI-11860



KMI-22560; KMI-23260



KMI-34062; KMI-35062; KMI-46562;
KMI-48062; KMI-49562

