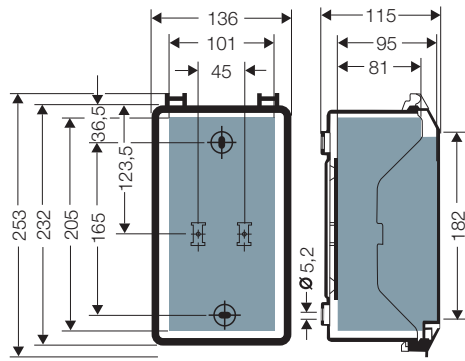
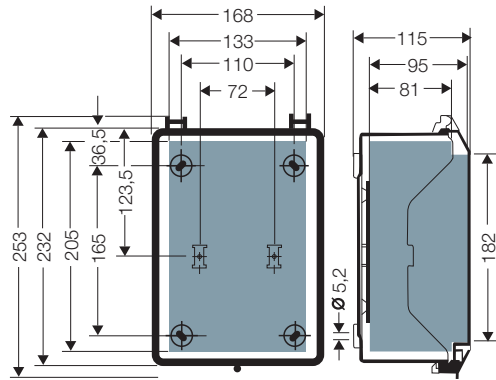


Technical details  
Dimensions in mm

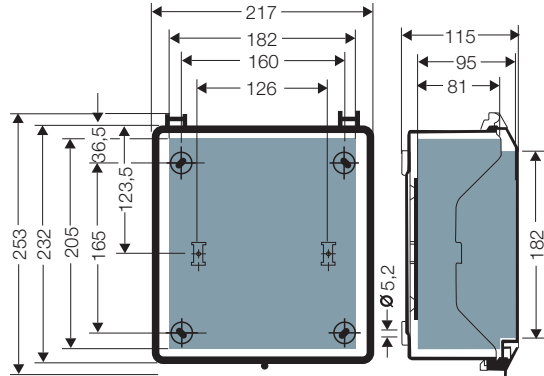
Dimensions of the interior installation depth with installed mounting plates.



KG 9001  
KG 9001 IN



KG 9002  
KG 9002 IN



KG 9003  
KG 9003 IN

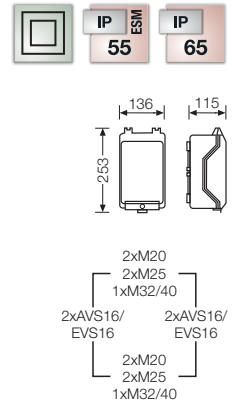
 = usable installation space with mounted cable glands



**KG 9001 IN**

**Built-in dimensions W 101 x H 205 x D 95 mm**

- degree of protection: IP 55 (ESM), IP 65 (see index cable entry systems)
- for installation equipment on DIN rails or mounting plates (order separately)
- max. installation depth with built-in mounting plate 95 mm, with built-in DIN rail 89 mm
- with opaque hinged lid
- fastener for tool operation
- sealable
- cable entry via metric knockouts
- included cable entry:  
 2 ESM 25, sealing range Ø 9-17 mm and  
 1 ESM 32, sealing range Ø 9-23 mm



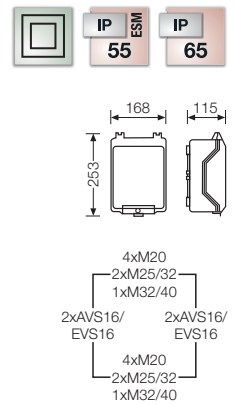
rated insulation voltage	$U_i = 1000 \text{ V a.c.}$
impact strength	IK 08 (5 Joule)
static load	mounting plate or DIN rail = 1.3 kg lid = 1.2 kg
power dissipation capability at $\Delta\theta = 40 \text{ K}$	$P_{de} = 16.5 \text{ watts}$
relative power dissipation capability in watts per K	$P_{de} = 0.4125 \text{ watts per K}$



**KG 9002 IN**

**Built-in dimensions W 133 x H 205 x D 95 mm**

- degree of protection: IP 55 (ESM), IP 65 (see index cable entry systems)
- for installation equipment on DIN rails or mounting plates (order separately)
- max. installation depth with built-in mounting plate 95 mm, with built-in DIN rail 89 mm
- with opaque hinged lid
- fastener for tool operation
- sealable
- cable entry via metric knockouts
- included cable entry:  
 2 ESM 25, sealing range Ø 9-17 mm and  
 1 ESM 32, sealing range Ø 9-23 mm



rated insulation voltage	$U_i = 1000 \text{ V a.c.}$
impact strength	IK 08 (5 Joule)
static load	mounting plate or DIN rail = 1.6 kg lid = 1.2 kg
power dissipation capability at $\Delta\theta = 40 \text{ K}$	$P_{de} = 16.8 \text{ watts}$
relative power dissipation capability in watts per K	$P_{de} = 0.42 \text{ watts per K}$

Application:



KG empty enclosures with transparent lid



KG empty enclosures with opaque lid