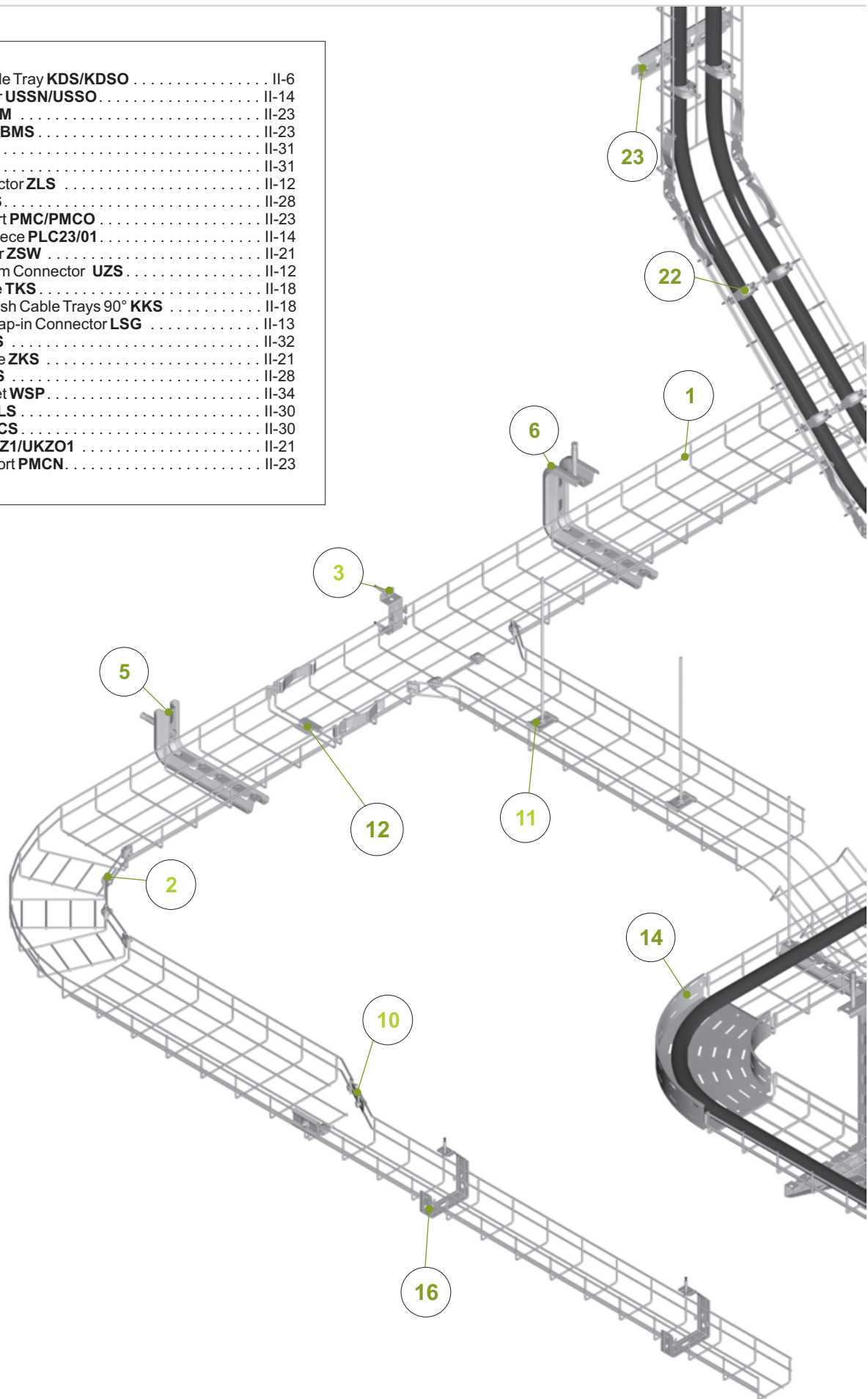
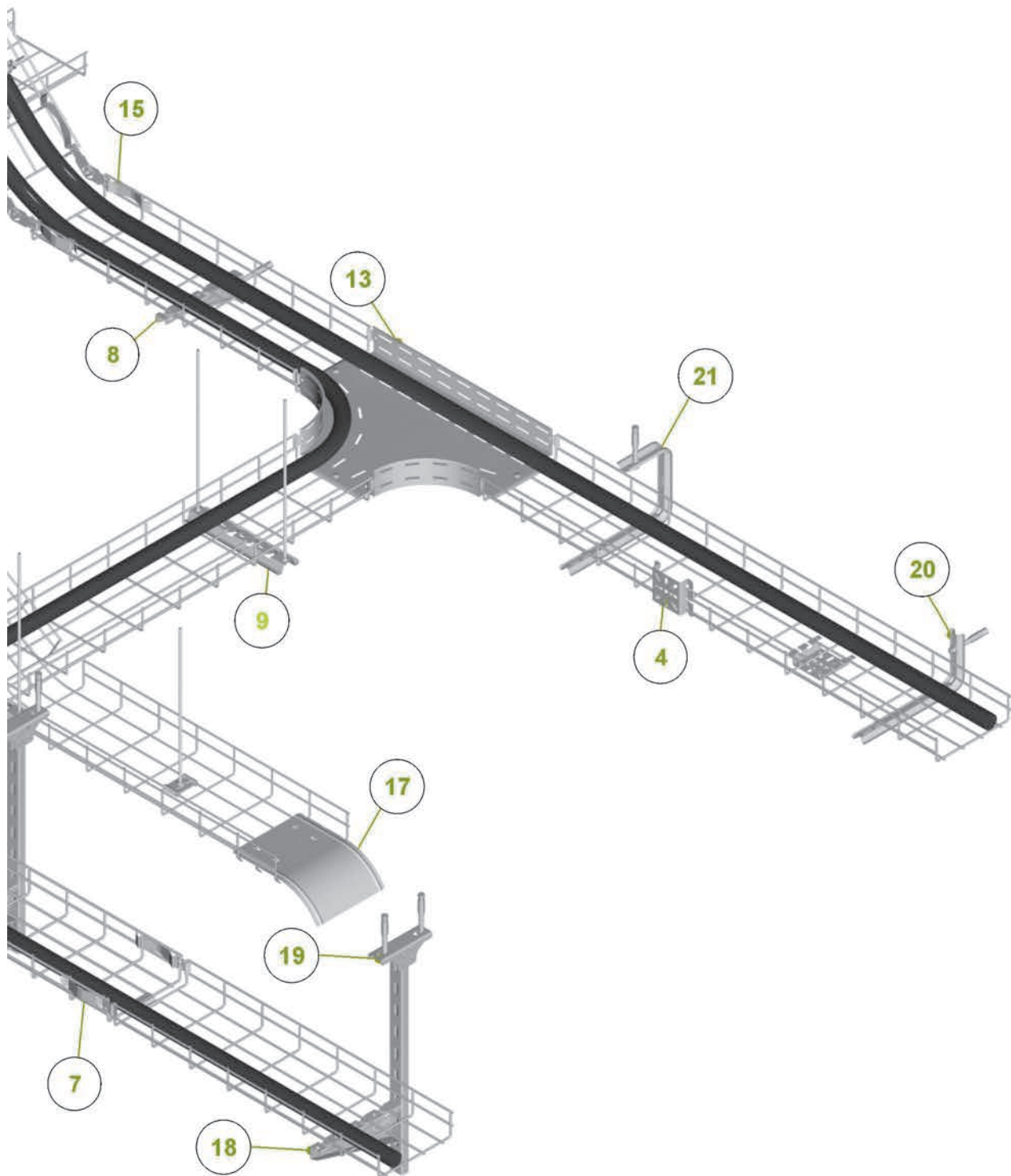


Wire Mesh Cable Trays H35 - H110

1. Wire Mesh Cable Tray KDS/KDSO	II-6
2. Joint Connector USSN/USO	II-14
3. Side Holder BSM	II-23
4. Mounting Plate BMS	II-23
5. Bracket WFLS	II-31
6. Bracket WFCS	II-31
7. Snap-in Connector ZLS	II-12
8. Bracket WWKS	II-28
9. Snap-in Support PMC/PMCO	II-23
10. Connection Piece PLC23/01	II-14
11. Center Hanger ZSW	II-21
12. Snap-in Bottom Connector UZS	II-12
13. Horizontal Tee TKS	II-18
14. Bend Wire Mesh Cable Trays 90° KKS	II-18
15. Articulated Snap-in Connector LSG	II-13
16. Hanger WSKS	II-32
17. Drop-Out Plate ZKS	II-21
18. Bracket WZKS	II-28
19. Ceiling Bracket WSP	II-34
20. Bracket WFMLS	II-30
21. Bracket WFMCS	II-30
22. Cable Clip UKZ1/UKZO1	II-21
23. Snap-in Support PMCN	II-23

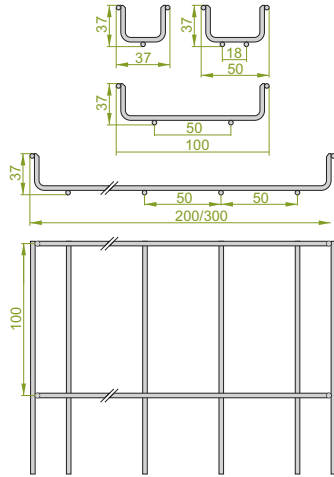






Wire Mesh Cable Tray

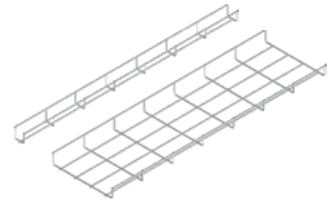
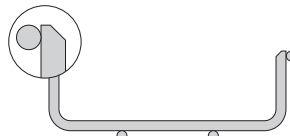
KDS...H35



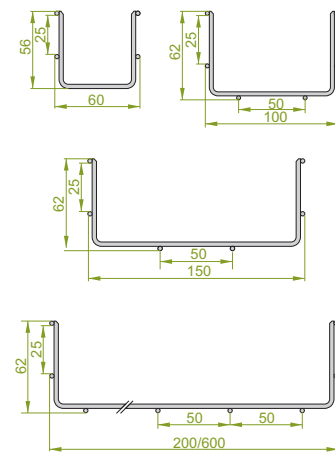
KDS...H35

CODE	Width a mm	Length L mm	/ kg 1 m	Catalogue No.	/ Qty/m
KDS35H35/3	35	3000	0.36	930111	8/24
KDS50H35/3	50	3000	0.46	930112	8/24
KDS100H35/3	100	3000	0.51	930110	8/24
KDS200H35/3	200	3000	0.78	930120	6/18
KDS300H35/3	300	3000	1.06	930130	6/18

All wire mesh cable trays have smooth cutted wire ends to prevent cable damage

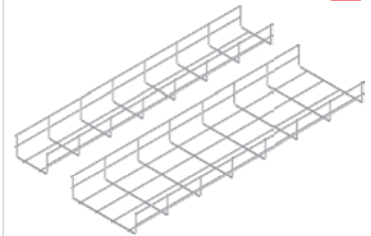


KDS...H60

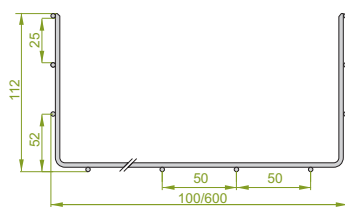


KDS/KDSO...H60

CODE	Width a mm	Length L mm	/ kg 1 m	Catalogue No.	/ Qty/mb
KDS/KDSO60H60/3	60	3000	0.51	970106	8/24
KDS/KDSO100H60/3	100	3000	0.73	970110	8/24
KDS/KDSO150H60/3	150	3000	0.78	970115	8/24
KDS/KDSO200H60/3	200	3000	1.00	970120	4/12
KDS/KDSO300H60/3	300	3000	1.76	970130	4/12
KDS/KDSO400H60/3	400	3000	2.14	970140	2/6
KDS/KDSO500H60/3	500	3000	3.09	970150	2/6
KDS/KDSO600H60/3	600	3000	3.56	970160	2/6

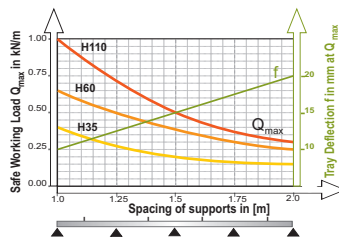
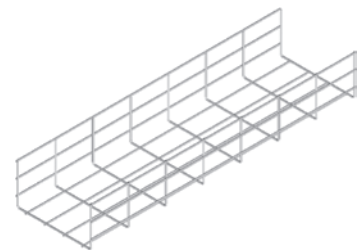


KDS...H110



KDS...H110

CODE	Width a mm	Length L mm	/ kg 1 m	Catalogue No.	/ Qty/m
KDS100H110/3	100	3000	1.01	920110	2/6
KDS200H110/3	200	3000	1.76	920120	2/6
KDS300H110/3	300	3000	2.14	920130	2/6
KDS400H110/3	400	3000	3.09	920140	2/6
KDS500H110/3	500	3000	3.56	920150	2/6
KDS600H110/3	600	3000	4.03	920160	2/6



H35		H60		H110	
WIDTH	USABLE CROSS SECTION	WIDTH	USABLE CROSS SECTION	WIDTH	USABLE CROSS SECTION
35	4.5 cm ²	60	22 cm ²	100	86 cm ²
50	8 cm ²	100	43 cm ²	200	186 cm ²
100	19 cm ²	150	70 cm ²	300	288 cm ²
200	42 cm ²	200	94 cm ²	400	390 cm ²
300	65 cm ²	300	146 cm ²	500	492 cm ²
		400	198 cm ²	600	594 cm ²
		500	250 cm ²		
		600	302 cm ²		

APPLICATION
Cable routing.

MATERIAL
Electro-galvanised wire (EG)
Available finishes:
F- hot-dip galv. wire
to PN-EN ISO 1461:2011 (HDG)
E- stainless steel wire (SS), grade 1.4301 (AISI304)
L- powder coating in a full range of colours (PC)
(info p. 4)