

■ Al –Main branch terminal 25mm<sup>2</sup>



■ SCHRACK-INFO

- Type C, finger safe from all sides, for side-by-side mounting
- Rated voltage 1000 V AC/DC
- Approved according to IEC 60947-7-1, IEC 61238-1 (class A)
- 25 mm<sup>2</sup>, 35 mm<sup>2</sup> and 70 mm<sup>2</sup> model
- Cu and Al/Cu models
- Aluminum-terminals for solid round conductors, multi-wire conductors, fine-stranded conductors with end ferrules and also sector conductors (RM and SM)

■ Technical data

Regulations:		According to IEC 60947-7-1, IEC 61238-1 (Class A)
Nominal voltage:		1.000 V AC /1.000 V DC
Current rating:	Al	100 A (1x25mm <sup>2</sup> )* according to IEC 61238-1 (Class A) *checked with Reko SFS 4880 (manufacturer - Reka Cables Ltd)
	Cu	152 A (2x16mm <sup>2</sup> ) according IEC 60947-7-1
		101 A (1x25mm <sup>2</sup> ) according IEC 60947-7-1

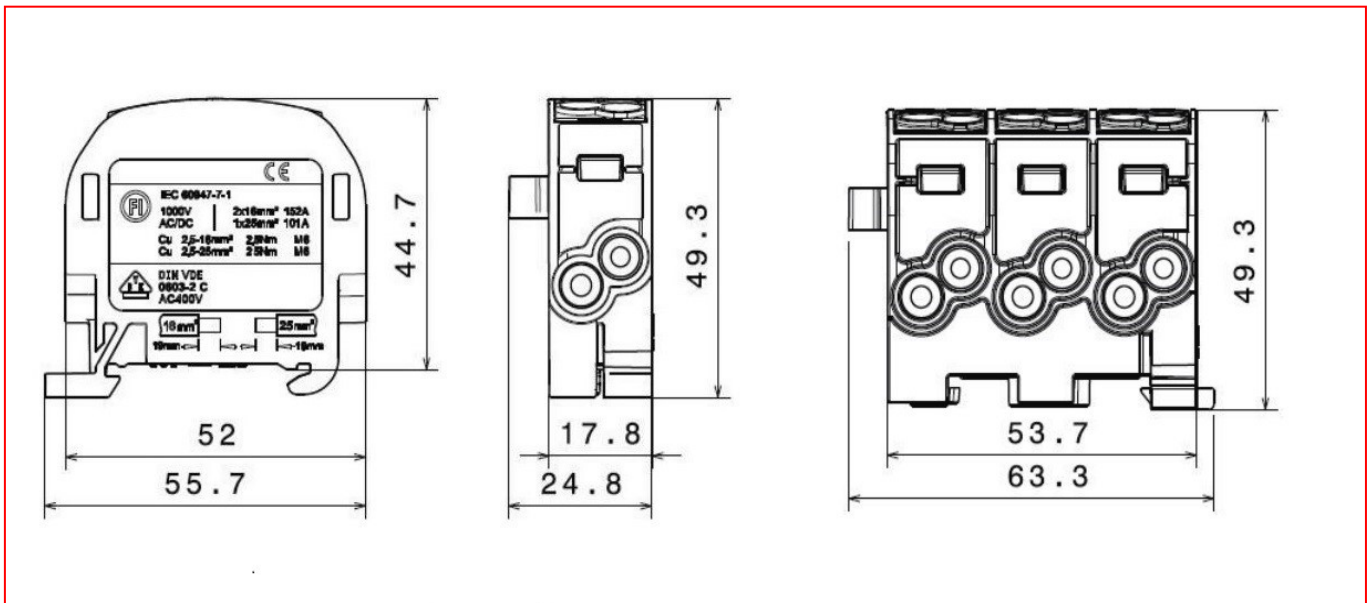
Technical data

Round conductors	2 x 25 mm <sup>2</sup> (round conductors)			2 x 16 mm <sup>2</sup> (round conductors)		
	Cu		Al	Cu		Al
	solid	stranded wire with ferrule	stranded	solid	stranded wire with ferrule	stranded
	stranded			stranded		
25 mm <sup>2</sup>	2,5 Nm	-	4 Nm	-	-	-
16 mm <sup>2</sup>	2,5 Nm	2,5 Nm	4 Nm	2,5 Nm	-	4 Nm
10 mm <sup>2</sup>	2,5 Nm	2,5 Nm	-	2,5 Nm	2,5 Nm	-
6 mm <sup>2</sup>	2,5 Nm	2,5 Nm	-	2,5 Nm	2,5 Nm	-
4 mm <sup>2</sup>	2,5 Nm	2,5 Nm	-	2,5 Nm	2,5 Nm	-
2,5 mm <sup>2</sup>	2,5 Nm	2,5 Nm	-	2,5 Nm	2,5 Nm	-
1,5 mm <sup>2</sup>	-	2,5 Nm	-	-	2,5 Nm	-
Stripping length	19 mm			19 mm		
Cross recessed screw	M6 (+/- PZ2)			M6 (+/- PZ2)		

- not valid

Materials:	Terminal Body:	Brass (CuZn39Pb2)
	Housing:	PA 6 (Halogen Free)
	Screws:	steel, zinc thick film passivated
Flame resistance:	self extinguishing	
Mechanical Data:	Dimensions (WxHxD):	1 pole: 24,8mm x 49,3mm x 55,7mm 3 pole: 63,3mm x 49,3mm x 55,7mm

▀ Dimensions



▀ Articles

Description	Order No.
Al-Main branch terminal, 25mm <sup>2</sup> , 1 p. grey	IKA26110--
Al-Main branch terminal, 25mm <sup>2</sup> , 1 p. blue	IKA26120--
Al-Main branch terminal, 25mm <sup>2</sup> , 1 p. PE	IKA26130--
Al-Main branch terminal, 25mm <sup>2</sup> , 1 p. brown	IKA26140--
Al-Main branch terminal, 25mm <sup>2</sup> , 1 p. black	IKA26150--
Al-Main branch terminal, 25mm <sup>2</sup> , 3p.	IKA26183--